



Features:

- No UV or IR light radiation.
 - Provide 40° beam angles.
 - Easy Installation: Using Existing GU5.3 Fixture.
 - Low Power Consumption: Less than 3 Watts.
 - Long lifetime: 25000 hours (L₇₀).
- Sturdy Construction:
- UV Stabilized PMMA Lens and Aluminium alloy lamp Shell.
 - High CRI: 70-85.
 - Correlated Color Temperature: 2700-3500K.
 - Operating temperature: -10°C~+40°C.
 - 12V AC/DC input.
 - Replaces MR16 Halogen Bulbs up to 30 Watts

Benefits:

- Energy Cost Savings:
Over 60% Compared to Incandescent.
- Solid-State:
High-Shock & High-Vibration Resistant,
Both Electrical and Mechanical
- Energy Cost Savings:
- Eco-Friendly:
No Mercury, No Lead Content
- No Hazardous Emissions:
No UV or IR Radiation
- Constant Light Output:
Even Lighting, Non-Halation

Applications:

- Entertainment Lighting.
- Architectural lighting.
- City Beautification. lighting
- Landscape lighting.
- Furniture decoration lighting
- Other Lighting

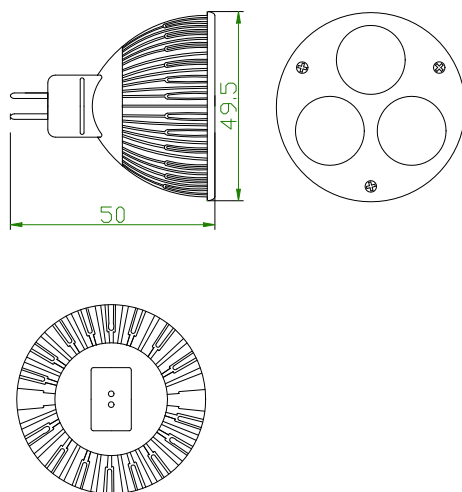
Product Specifications:

Lens	PMMA
Lamp Shell	Aluminium Alloy
Input Voltage	12V AC/DC
Base Type	GU5.3
Wattage	3W
Power Factor	PF \geq 0.7
Operating frequency	50-60Hz
Operating Temperature	-10°C ~ +40°C
Storage Temperature	-10°C ~ +40°C
Net Weight per piece (Kg)	0.033Kg
Certifications	RoHS Compliant

Product Selection Guide:

Part No.	Beam Angle	Total Lumens	CCT	Color	CRI
ABL-MR16GX3W3040-LL	40°	180 \pm 10%	2700-3500K	Warm White	\geq 70

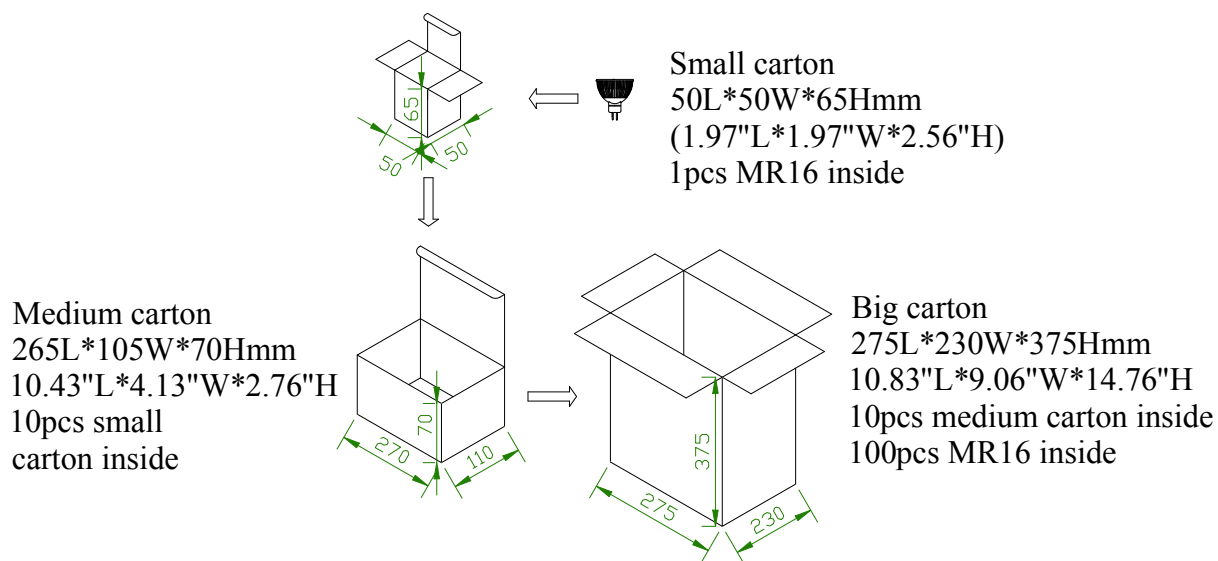
Product Dimensions:



Notes:

- 1. All dimensions unit in mm
- 2. Tolerances are ±1mm unless otherwise noted.

Package Dimension:



Installation Instructions and Warnings:

- Turn off power before inspection, installation, or removal.
- Not for use where exposed to the weather
- Do not use in totally enclosed fixtures.
- Not for use with dimmers.
- Please make sure to use a suitable adapter. Please mind the minimum load of your adapter.

Notes:

The part number, type, and specifications mentioned in this document are subject to future change and improvement without notice. Before production usage customer should refer to the latest datasheet for the updated specifications.