



Features:

- No UV or IR light radiation.
- Provide 120° beam angles.
- Low Power Consumption: Less than 1.7Watts.
- Long lifetime: 25000 hours (L_{70}).
- High CRI: 70-85.
- Correlated Color Temperature: 2700-6500K.
- Operating temperature: -20°C~+60°C.
- 12V DC input.

Benefits:

- Energy Cost Savings:
Over 60% Compared to Incandescent.
- Solid-State:
High-Shock & High-Vibration Resistant,
Both Electrical and Mechanical
- Energy Cost Savings:
- Eco-Friendly:
No Mercury, No Lead Content
- No Hazardous Emissions:
No UV or IR Radiation
- Constant Light Output:
Even Lighting, Non-Halation

Applications:

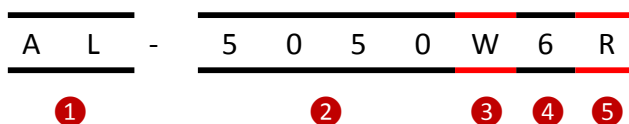
- Used in automobile lights: Turn
Signal lamp/Backup lamp/Stop
lamp
- Other Lighting

Product Specifications:

Input Voltage	12V DC
Wattage	1.7W
Operating Temperature	-20°C ~ +60°C
Storage Temperature	-30°C ~ +70°C
Net Weight per piece (Kg)	0.005KG
Certifications	RoHS Compliant
Size	39*15*7.8mm

Product Selection Guide:

Part No.	Beam Angle	Total Lumens	CCT	Color	CRI
AL-5050W6R	120°	68±5%	6000-6500K	White	≥70



LED Automotive Light Lamp Series

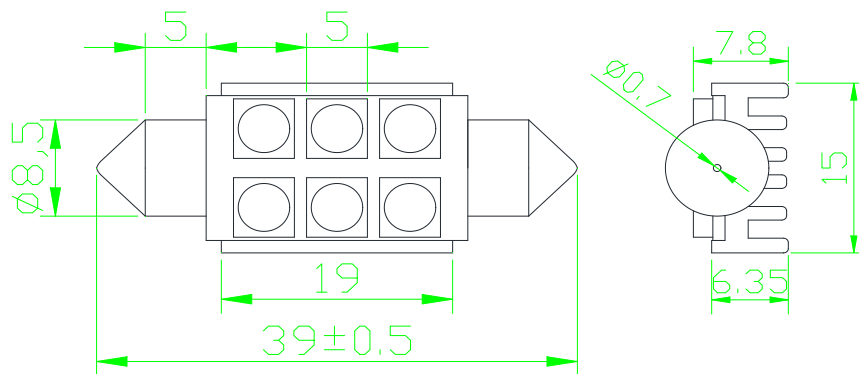
Data Sheet

AL-5050W6R

DC 12V, 1.7W

①	AL:	Automotive Light
②	5050:	5050 SMD LED type
③	W:	W-White
④	6:	6 pcs of LED
⑤	R:	DC12V

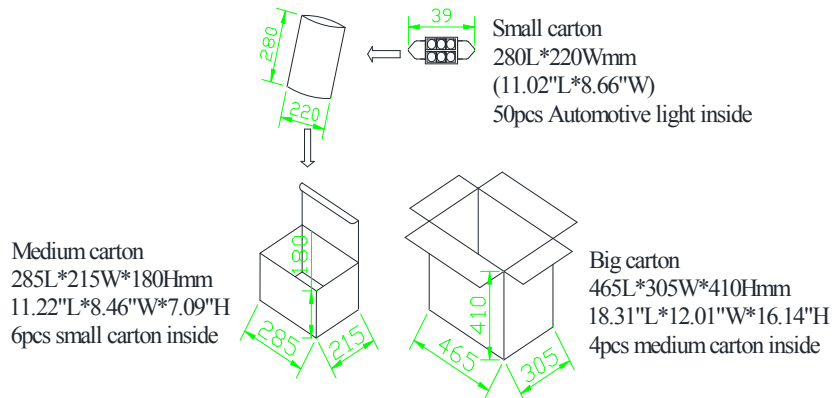
Product Dimensions:



Notes:

1. All dimensions unit in mm
2. Tolerances are ±0.5mm unless otherwise noted.

Package Dimension:



Installation Instructions and Warnings:

- Turn off power before inspection, installation, or removal.
- Not for use where exposed to the weather
- Do not use in totally enclosed fixtures.
- Not for use with dimmers.
- Please make sure to use a suitable adapter. Please mind the minimum load of your adapter.

Notes:

The part number, type, and specifications mentioned in this document are subject to future change and improvement without notice. Before production usage customer should refer to the latest datasheet for the updated specifications.