

### Features:

- No UV or IR light radiation.
- Provide 360° beam angles.
- Low Power Consumption: Less than 36Watts.
- Long lifetime: 25000 hours (L<sub>70</sub>).
- High CRI: 70-85.
- Correlated Color Temperature:6000-6500K.
- Operating temperature: -20°C~+60°C.
- 12-28V DC input.
- LED type:COB.
- Waterproof grade :IP65.
- Lamp type:9005.
- High-power LED headlights emit 360 degrees.
- Hydraulic fans with high speed for better heat dissipation.
- Small size and easy installation .



### Benefits:

- Energy Cost Savings:  
Over 60% Compared to Incandescent.
- Solid-State:  
High-Shock & High-Vibration Resistant,  
Both Electrical and Mechanical
- Energy Cost Savings:
- Eco-Friendly:  
No Mercury, No Lead Content
- No Hazardous Emissions:  
No UV or IR Radiation
- Constant Light Output:  
Even Lighting, Non-Halation

### Applications:

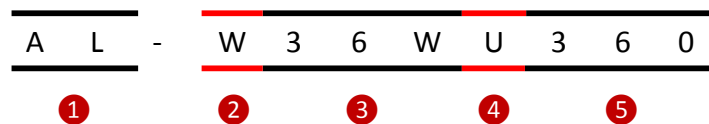
- Used in automobile lights:  
Headlights
- Other Lighting

**Product Specifications:**

Input Voltage	12-28V DC
Wattage	36W
Operating Temperature	-20°C ~ +60°C
Storage Temperature	-30°C ~ +70°C
Net Weight per piece (g)	96g
Certifications	RoHS Compliant
Size	∅ 33*68mm

**Product Selection Guide:**

Part No.	Beam Angle	Total Lumens	CCT	Color	CRI
AL-W36WU-360	360°	3000±10%	6000-6500K	White	≥70



# LED Automotive Light Lamp Series

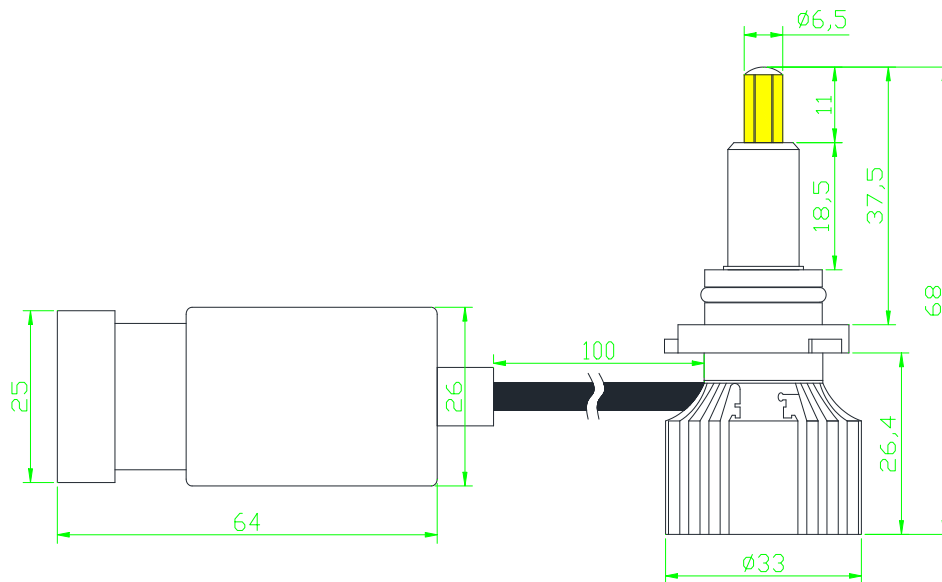
## Data Sheet

# AL-W36WU-360

## DC 12-28V, 2.8A

①	AL:	Automotive Light
②	W:	W-White
③	36W:	The LED Power is 36W
④	R:	DC12-28V
⑤	360:	Automotive Light

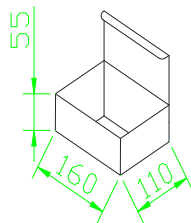
### Product Dimensions:



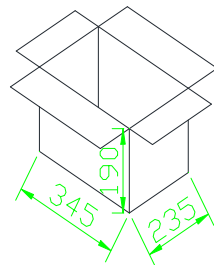
### Notes:

1. All dimensions unit in mm
2. Tolerances are  $\pm 1$  mm unless otherwise noted.

### Package Dimension:



Small carton  
160L\*110W\*55Hmm  
(6.30"L\*4.33"W\*2.17"H)  
2pcs Automotive light inside



Big carton  
345L\*235W\*190Hmm  
13.58"L\*9.25"W\*7.48"H  
6pcs medium small inside  
12pcs Automotive light inside

### Installation Instructions and Warnings:

- Turn off power before inspection, installation, or removal.
- Not for use where exposed to the weather
- Do not use in totally enclosed fixtures.
- Not for use with dimmers.
- Please make sure to use a suitable adapter. Please mind the minimum load of your adapter.

#### Notes:

The part number, type, and specifications mentioned in this document are subject to future change and improvement without notice. Before production usage customer should refer to the latest datasheet for the updated specifications.