



### Features:

- No UV or IR light radiation.
- Provide 360° beam angles.
- Low Power Consumption: Less than 60Watts.
- Long lifetime: 25000 hours (L<sub>70</sub>).
- High CRI: 70-85.
- Correlated Color Temperature:5500-6500K.
- Operating temperature: -20°C~+60°C.
- 12-28V DC input.
- LED type:SHSRP 2828/12PCS.
- Waterproof grade :IP65.
- Lamp type:H1.
- Fog lights.
- Small size and easy installation .

### Benefits:

- Energy Cost Savings:  
Over 60% Compared to Incandescent.
- Solid-State:  
High-Shock & High-Vibration Resistant,  
Both Electrical and Mechanical
- Energy Cost Savings:
- Eco-Friendly:  
No Mercury, No Lead Content
- No Hazardous Emissions:  
No UV or IR Radiation
- Constant Light Output:  
Even Lighting, Non-Halation

### Applications:

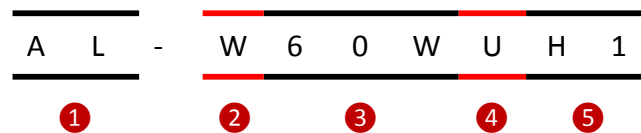
- Used in automobile lights: Fog lights
- Other Lighting

**Product Specifications:**

Input Voltage	12-28V DC
Wattage	60W
Operating Temperature	-20°C ~ +60°C
Storage Temperature	-30°C ~ +70°C
Net Weight per piece (g)	13g
Certifications	RoHS Compliant
Size	∅ 15.5*49mm

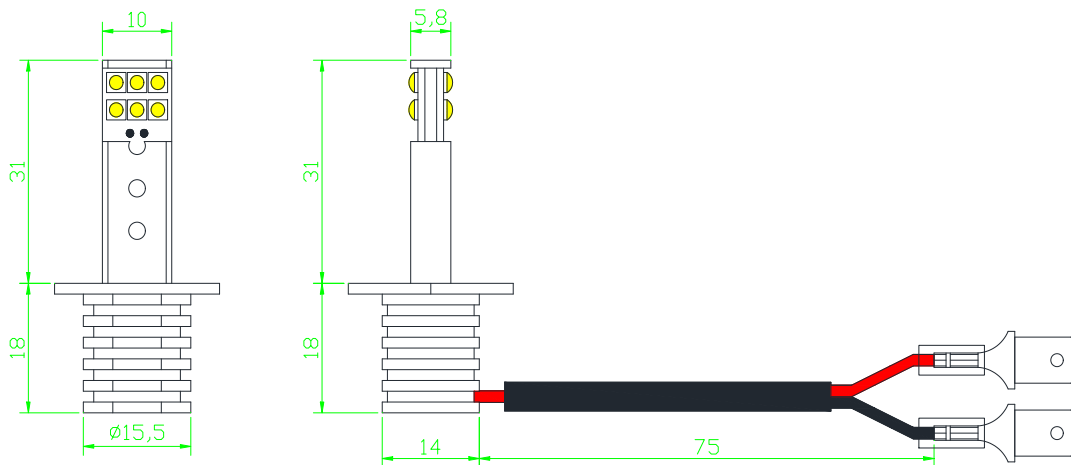
**Product Selection Guide:**

Part No.	Beam Angle	Total Lumens	CCT	Color	CRI
AL-W60WU-H1	360°	1000±10%	5500-6500K	White	≥70



①	AL:	Automotive Light
②	W:	W-White
③	60W:	The LED Power is 60W
④	U:	DC12-28V
⑤	H1:	Automotive Light

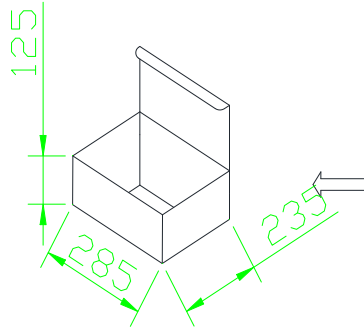
### Product Dimensions:



### Notes:

1. All dimensions unit in mm
2. Tolerances are  $\pm 1$  mm unless otherwise noted.

Package Dimension:



Small carton  
285L\*235W\*125Hmm  
(11.22"L\*9.21"W\*4.92"H)  
24pcs Automotive light inside

Installation Instructions and Warnings:

- Turn off power before inspection, installation, or removal.
- Not for use where exposed to the weather
- Do not use in totally enclosed fixtures.
- Not for use with dimmers.
- Please make sure to use a suitable adapter. Please mind the minimum load of your adapter.

Notes:

The part number, type, and specifications mentioned in this document are subject to future change and improvement without notice. Before production usage customer should refer to the latest datasheet for the updated specifications.