



### Features:

- No UV or IR light radiation.
- Provide 360° beam angles.
- Easy Installation: Using Existing E27 Base Fixture.
- Low Power Consumption: Less than 9 Watts.
- Long lifetime: 25000 hours (L<sub>70</sub>).
- Sturdy Construction:
  - UV Stabilized Plastic Lamp shell.
  - High CRI: 70-85.
  - Correlated Color Temperature: 2700-6500K.
  - Operating temperature: -20°C~+60°C.
- 85-265V AC input.
- LED Type :2835 LED/70Pcs.

### Benefits:

- Energy Cost Savings:  
Over 60% Compared to Incandescent.
- Solid-State:  
High-Shock & High-Vibration Resistant,  
Both Electrical and Mechanical
- Energy Cost Savings:
- Eco-Friendly:  
No Mercury, No Lead Content
- No Hazardous Emissions:  
No UV or IR Radiation
- Constant Light Output:  
Even Lighting, Non-Halation

### Applications:

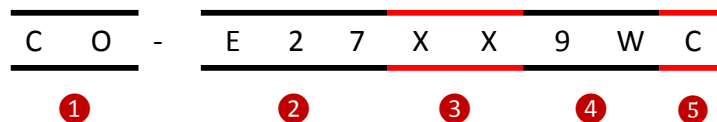
- Track Lighting
- Accent / Spot Lighting
- Display / Cabinet / Kiosk Lighting
- Architectural Lighting
- Art Gallery and Museum Lighting
- Other Lighting

**Product Specifications:**

Lamp Shell	Plastic
Input Voltage	85-265V AC
Base Type	E27 Base
Wattage	9W
Power Factor	PF $\geq$ 0.7
Operating frequency	50-60Hz
Operating Temperature	-20°C ~ +60°C
Storage Temperature	-30°C ~ +60°C
Net Weight per piece (Kg)	0.185
Certifications	RoHS Compliant
Size	Ø52*165mm

**Product Selection Guide:**

Part No.	Beam Angle	Total Lumens	CCT	Color	CRI
CO-E27WW9WC	360°	850±5%	2700-3500K	Warm White	$\geq$ 70
CO-E27W9WC	360°	900±5%	6000-6500K	White	$\geq$ 70



# LED Corn Light Lamp Series

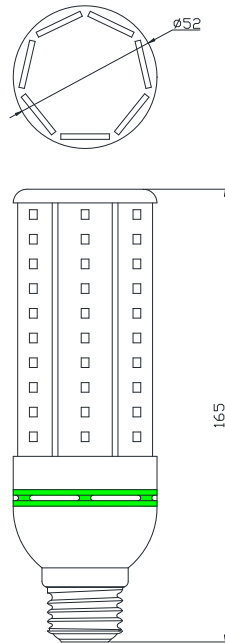
## Data Sheet

CO-E27XX9WC

AC85-265V, 9W

①	CO:	Corn light
②	E27:	E27 base type
③	XX:	W(White Color) WW( Warm White)
④	9W:	The single LED power is 9W
⑤	C:	AC 85-265V

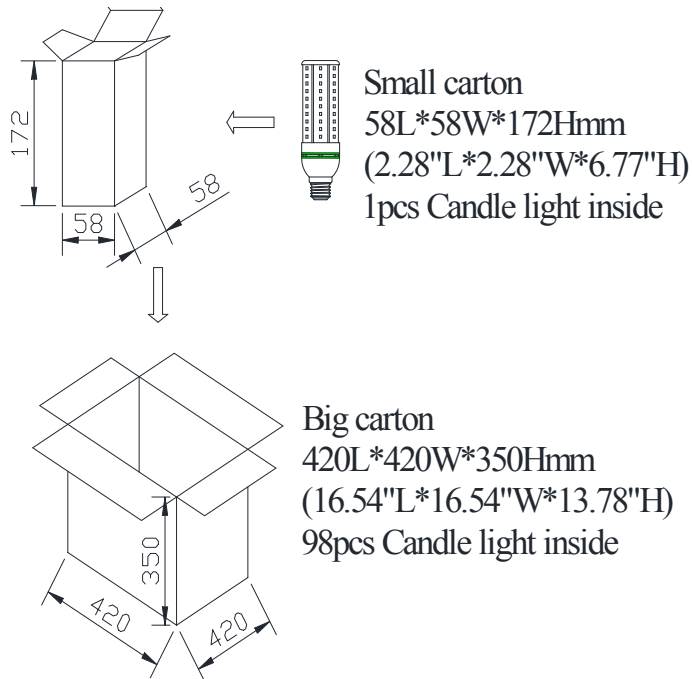
### Product Dimensions:



#### Notes:

1. All dimensions unit in mm
2. Tolerances are  $\pm 0.5\text{mm}$  unless otherwise noted.

### Package Dimension:



### Installation Instructions and Warnings:

- Turn off power before inspection, installation, or removal.
- Not for use where exposed to the weather
- Do not use in totally enclosed fixtures.
- Not for use with dimmers.
- Please make sure to use a suitable adapter. Please mind the minimum load of your adapter.

#### Notes:

The part number, type, and specifications mentioned in this document are subject to future change and improvement without notice. Before production usage customer should refer to the latest datasheet for the updated specifications.