



### Features:

- No UV or IR light radiation.
  - Provide 120° beam angles.
  - Low Power Consumption: Less than 7 Watts.
  - Long lifetime: 25000 hours (L<sub>70</sub>).
- Sturdy Construction:
- Organic glass Light guide plate And Aluminum alloy Lamp Shell.
  - High CRI: 70-85.
  - Correlated Color Temperature: 2700-7000K.
  - Ultrathin.
  - Operating temperature: -20°C~+60°C.
  - 85-265V AC input.
  - LED type: 2835 LED.

### Benefits:

- Energy Cost Savings:  
Over 60% Compared to Incandescent.
- Solid-State:  
High-Shock & High-Vibration Resistant,  
Both Electrical and Mechanical
- Energy Cost Savings:
- Eco-Friendly:  
No Mercury, No Lead Content
- No Hazardous Emissions:  
No UV or IR Radiation
- Constant Light Output:  
Even Lighting, Non-Halation

### Applications:

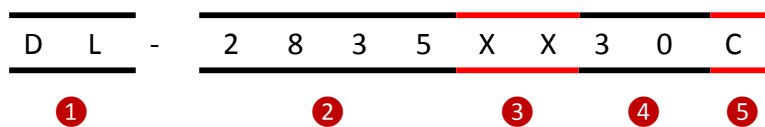
- Hotels, Hospitals
- Conference/Meeting rooms
- Factories & Offices
- Commercial Purposes
- Schools, Colleges & Universities
- Residential/Institution Buildings

Product Specifications:

Light guide plate	Light guide plate
Lamp Shell	Aluminium Alloy
Input Voltage	85-265V AC
Wattage	7W
Power Factor	PF≥0.8
Operating frequency	50-60Hz
Operating Temperature	-20°C ~ +60°C
Storage Temperature	-30°C ~ +70°C
Net Weight per piece (Kg)	0.17Kg
Certifications	RoHS Compliant
Size	Ø120*10mm
Hole Diameter	Ø105mm

Product Selection Guide:

Part No.	Beam Angle	Total Lumens	CCT	Color	CRI
DL-2835WW30C	120°	350±5%	2700-3500K	Warm White	≥80
DL-2835NW30C	120°	370±5%	4000-4500K	Neuter White	≥80
DL-2835W30C	120°	400±5%	5500-6500K	White	≥80



# LED DOWN Light Lamp Series

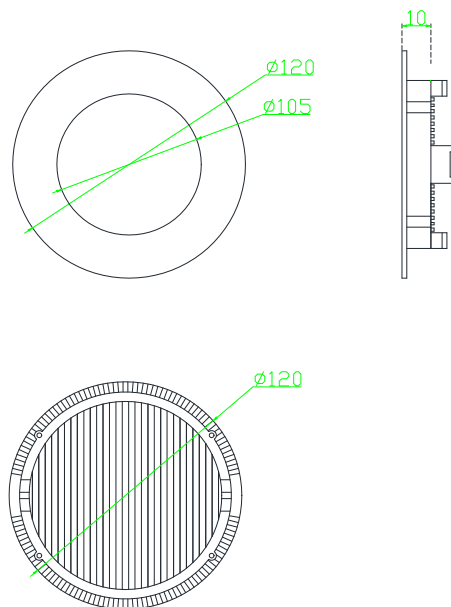
## Data Sheet

DL-2835XX30C

AC85-265V, 7W

①	DL:	Down light
②	2835:	2835 LED Type
③	XX:	WW- Warm White    NW- Neuter White W-White,
④	30:	30 pcs of LED
⑤	C:	AC85-265V

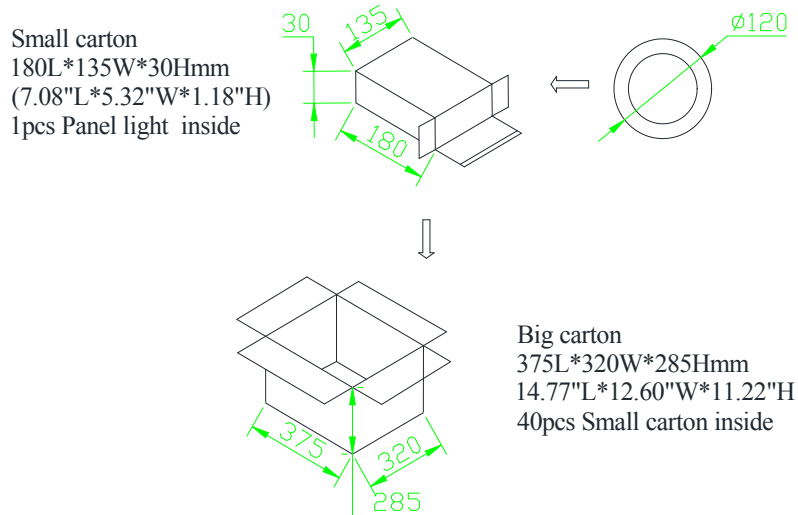
### Product Dimensions:



#### Notes:

1. All dimensions unit in mm
2. Tolerances are  $\pm 0.5\text{mm}$  unless otherwise noted.

### Package Dimension:



### Installation Instructions and Warnings:

- Turn off power before inspection, installation, or removal.
- Not for use where exposed to the weather
- Do not use in totally enclosed fixtures.
- Not for use with dimmers.
- Please make sure to use a suitable adapter. Please mind the minimum load of your adapter.

#### Notes:

The part number, type, and specifications mentioned in this document are subject to future change and improvement without notice. Before production usage customer should refer to the latest datasheet for the updated specifications.