



Features:

- Rechargeable flood lights, also in the car to charge the use of.
- Life time 3 to 4 hours.
- Provide 120° beam angles.
- Portable, easy to use.
- Low Power Consumption: Less than 60 Watts.
- Long lifetime: 25000 hours (L₇₀).
- Sturdy Construction:
 - UV Stabilized toughened glass and Aluminum alloy Lamp Base.
 - High CRI: 70-85.
 - Correlated Color Temperature: 2700-6500K.
 - Operating temperature: -20°C~+60°C.
 - 100-240V AC input.
 - DC 8.4V/1A input to lights.
 - Battery capacity: 7.4V 6600mAh.
 - Battery: 18650.

Benefits:

- Energy Cost Savings:
Over 60% Compared to Incandescent.
- Solid-State:
High-Shock & High-Vibration Resistant,
Both Electrical and Mechanical
- Energy Cost Savings:
- Eco-Friendly:
No Mercury, No Lead Content
- No Hazardous Emissions:
No UV or IR Radiation
- Constant Light Output:
Even Lighting, Non-Halation

Applications:

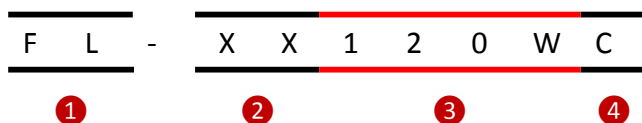
- Outdoor camping
- Night construction
- Emergency lighting
- Outdoor adventure
- Mountain camping
- Self driving travel
- Other light sources

Product Specifications:

Diffuser	Toughened glass
Input Voltage	100-240V AC
IP	IP65
Wattage	120W
Power Factor	--
Operating frequency	50-60Hz
Operating Temperature	-20°C ~ +60°C
Storage Temperature	-30°C ~ +70°C
Net Weight per piece (Kg)	2.6
Certifications	RoHS Compliant

Product Selection Guide:

Part No.	Beam Angle	Total Lumens	CCT	Color	CRI
FL-WW120WC	120°	1550±5%	2700-3500K	Warm White	≥70
FL-W120WC	120°	1600±5%	5500-6500K	White	≥70



LED Flood Light Lamp Series

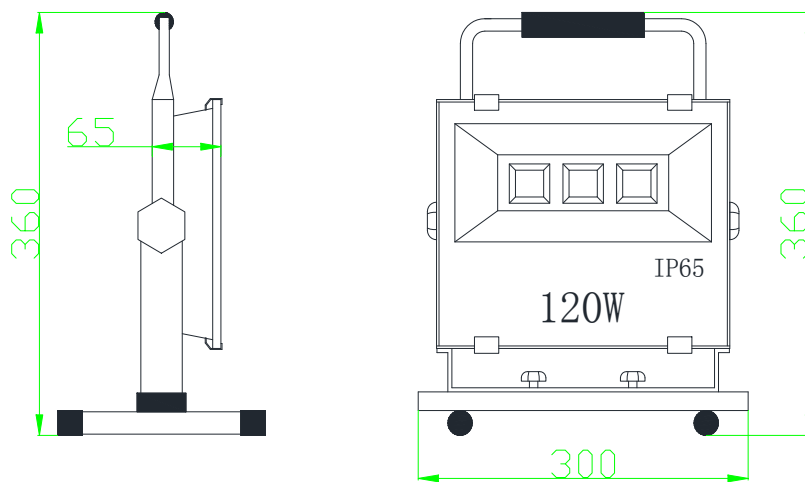
Data Sheet

FL-XX120WC

AC100-240V, 120W

①	FL:	Product Type.
②	XX:	WW- Warm White W- White
③	120W:	The single LED power is 120W
④	C:	AC100-240V

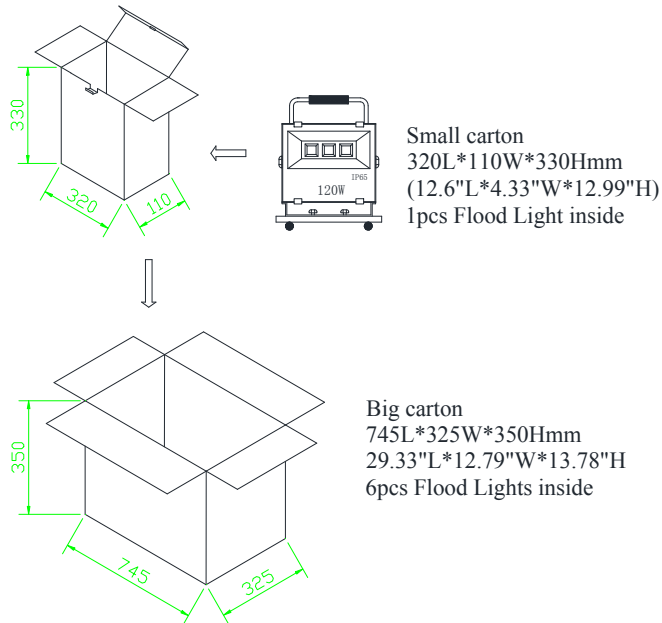
Product Dimensions:



Notes:

1. All dimensions unit in mm
2. Tolerances are ± 0.5 mm unless otherwise noted.

Package Dimension:



Installation Instructions and Warnings:

- Turn off power before inspection, installation, or removal.
- Not for use where exposed to the weather
- Do not use in totally enclosed fixtures.
- Not for use with dimmers.
- Please make sure to use a suitable adapter. Please mind the minimum load of your adapter.

Notes:

The part number, type, and specifications mentioned in this document are subject to future change and improvement without notice. Before production usage customer should refer to the latest datasheet for the updated specifications.