



Features:

- Solar floodlights.
- Life time 10 to 12 hours.
- Charging time: 6 to 8 hours.
- Provide 120° beam angles.
- Portable, easy to use.
- Low Power Consumption: Less than 60 Watts.
- Long lifetime: 25000 hours (L₇₀).
- Sturdy Construction:
 - UV Stabilized toughened glass and Aluminum alloy Lamp Base.
 - High CRI: 70-85.
 - Correlated Color Temperature: 2700-6500K.
 - Operating temperature: -20°C~+60°C.
 - 5V DC input.
 - Solar Panel: 5V15W.
 - Battery Capacity: 3.2V 10000mAh.
 - Battery: Lithium iron phosphate battery.

Benefits:

- Energy Cost Savings:
Over 60% Compared to Incandescent.
- Solid-State:
High-Shock & High-Vibration Resistant,
Both Electrical and Mechanical
- Energy Cost Savings:
- Eco-Friendly:
No Mercury, No Lead Content
- No Hazardous Emissions:
No UV or IR Radiation
- Constant Light Output:
Even Lighting, Non-Halation

Applications:

- Roadside lighting
- Night construction
- Courtyard lighting
- Emergency lighting
- Other light sources.

Product Specifications:

Diffuser	Toughened glass
Input Voltage	5V DC
IP	IP65
Wattage	60W
Power Factor	--
Operating frequency	50-60Hz
Operating Temperature	-20°C ~ +60°C
Storage Temperature	-30°C ~ +70°C
Net Weight per piece (Kg)	2.1
Certifications	RoHS Compliant
Lights size	270*55*210mm
Solar panel size	385*345*18mm

Product Selection Guide:

Part No.	Beam Angle	Total Lumens	CCT	Color	CRI
FL-WW60WI-SL	120°	750±5%	2700-3500K	Warm White	≥70
FL-W60WI-SL	120°	800±5%	5500-6500K	White	≥70



LED Flood Light Lamp Series

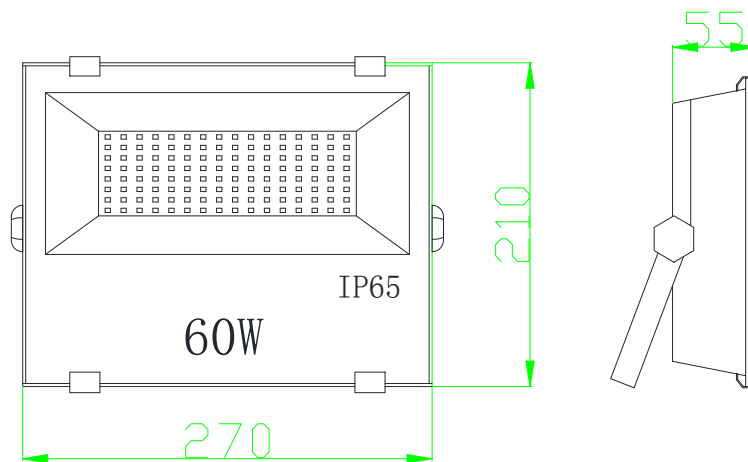
Data Sheet

FL-XX60WI-SL

DC5V, 60W

①	FL:	Product Type.
②	XX:	WW- Warm White W- White
③	60W:	The single LED power is 60W
④	I:	DC5V
⑤	SL:	Solar floodlights

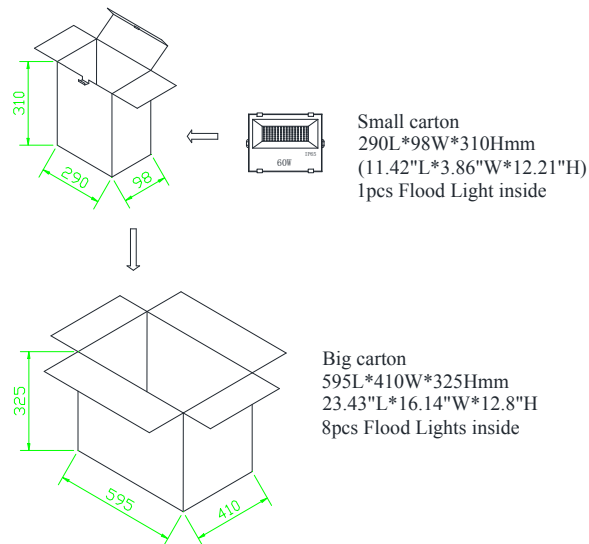
Product Dimensions:



Notes:

1. All dimensions unit in mm
2. Tolerances are $\pm 0.5\text{mm}$ unless otherwise noted.

Package Dimension:



Installation Instructions and Warnings:

- Turn off power before inspection, installation, or removal.
- Not for use where exposed to the weather
- Do not use in totally enclosed fixtures.
- Not for use with dimmers.
- Please make sure to use a suitable adapter. Please mind the minimum load of your adapter.

Notes:

The part number, type, and specifications mentioned in this document are subject to future change and improvement without notice. Before production usage customer should refer to the latest datasheet for the updated specifications.