



Features:

- No UV or IR light radiation.
- Provide 220° beam angles.
- Easy Installation: Using Existing B22 Base Fixture.
- Low Power Consumption: Less than 7 Watts.
- Long lifetime: 25000 hours (L₇₀).
- Sturdy Construction:
- UV Stabilized PC Lamp shade And Plastic Lamp Shell.
- High CRI: 70-85.
- Correlated Color Temperature: 2700-6500K.
- Operating temperature: -20°C~+60°C.
- 110-265V AC input.
- LED Type: 2835 LED/7PCS.

Benefits:

- Energy Cost Savings:
Over 60% Compared to Incandescent.
- Solid-State:
High-Shock & High-Vibration Resistant,
Both Electrical and Mechanical
- Energy Cost Savings:
- Eco-Friendly:
No Mercury, No Lead Content
- No Hazardous Emissions:
No UV or IR Radiation
- Constant Light Output:
Even Lighting, Non-Halation

Applications:

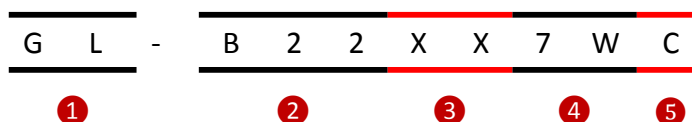
- Track Lighting
- Accent / Spot Lighting
- Display / Cabinet / Kiosk Lighting
- Architectural Lighting
- Art Gallery and Museum Lighting
- Other Lighting

Product Specifications:

Lamp Shell	Plastic+Aluminium alloy
Input Voltage	110-265V AC
Base Type	B22 Base
Wattage	7W
Power Factor	PF \geq 0.6
Operating frequency	50-60Hz
Operating Temperature	-20°C ~ +60°C
Storage Temperature	-30°C ~ +60°C
Net Weight per piece (Kg)	0.032
Certifications	RoHS Compliant
Size	Ø60*107mm

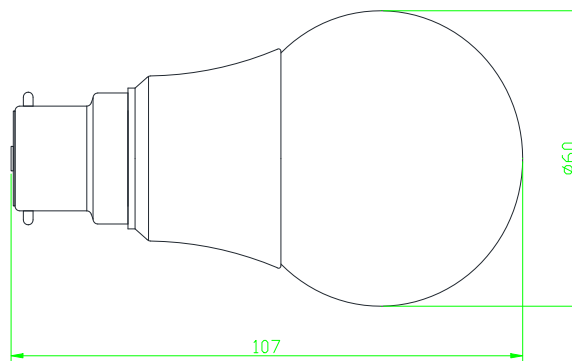
Product Selection Guide:

Part No.	Beam Angle	Total Lumens	CCT	Color	CRI
GL-B22WW7WC	220°	500±5%	2700-3500K	Warm White	≥70
GL-B22W7WC	220°	580±5%	6000-6500K	White	≥70



①	GL:	Bulb Light
②	B22:	B22 Base
③	XX:	WW- Warm White W-White
④	7W:	The single LED power is 7W
	C:	AC110-265V

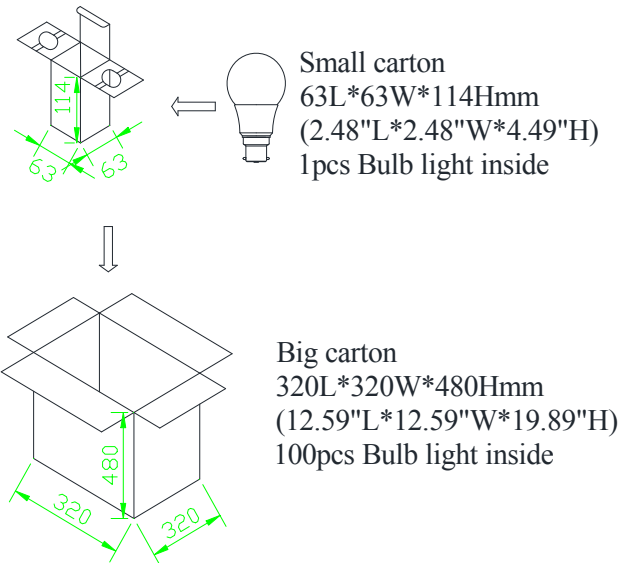
Product Dimensions:



Notes:

1. All dimensions unit in mm
2. Tolerances are ± 0.5 mm unless otherwise noted.

Package Dimension:



Installation Instructions and Warnings:

- Turn off power before inspection, installation, or removal.
- Not for use where exposed to the weather
- Do not use in totally enclosed fixtures.
- Not for use with dimmers.
- Please make sure to use a suitable adapter. Please mind the minimum load of your adapter.

Notes:

The part number, type, and specifications mentioned in this document are subject to future change and improvement without notice. Before production usage customer should refer to the latest datasheet for the updated specifications.