



Features:

- Provide 120° beam angles.
- Easy Installation:
 - Using Existing G13 Fixture.
- Low Power Consumption: Less than 15 Watts.
- Long lifetime: 25000 hours (L₇₀).
- Sturdy Construction:
 - PC Cover and Aluminium Lamp Shell.
- Operating temperature: -20°C~+60°C.
- 90-260V AC input.
- LED Type : 2835 LED /96PCS.

Benefits:

- Energy Cost Savings:
 - Over 60% Compared to Incandescent.
- Solid-State:
 - High-Shock & High-Vibration Resistant,
 - Both Electrical and Mechanical
- Energy Cost Savings:
- Eco-Friendly:
 - No Mercury, No Lead Content
- No Hazardous Emissions:
 - No UV or IR Radiation
- Constant Light Output:
 - Even Lighting, Non-Halation

Applications:

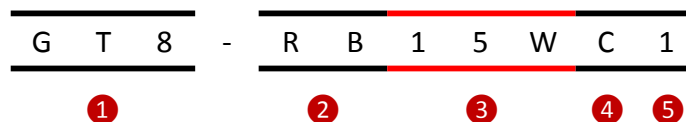
- Grow lights
- Flower shed lighting
- Other Lighting

Product Specifications:

Lamp Shell	Aluminium And PC
Input Voltage	90-260V AC
Wattage	15W
Power Factor	--
Operating frequency	50-60Hz
Operating Temperature	-20°C ~ +60°C
Storage Temperature	-30°C ~ +70°C
Net Weight per piece (Kg)	0.3KG
Certifications	RoHS Compliant
Size	1200*32*35mm

Product Selection Guide:

Part No.	Beam Angle	Total Lumens	CCT/ wavelength	Color	CRI
GT8-RB15WC1	120°	--	660-665nm	Red	--
			460-465nm	Blue	--



LED Grow Light Lamp Series

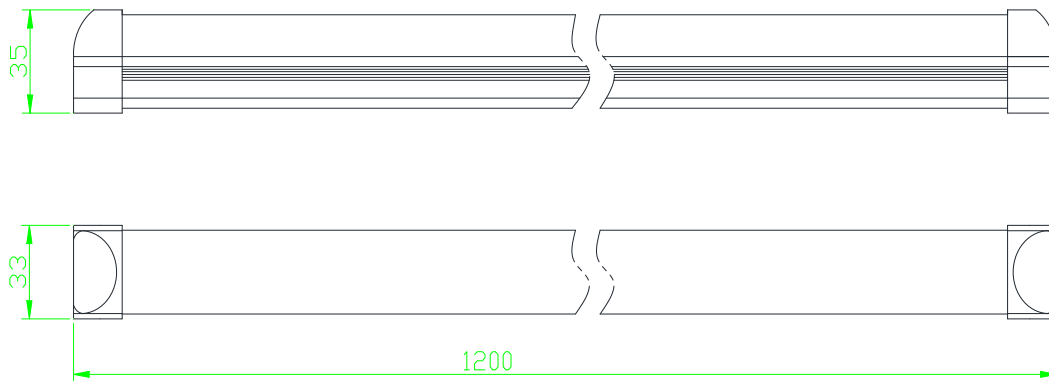
Data Sheet

GT8-RB15WC1

AC90-260V, 15W

①	GT8:	Product Type.
②	RB:	R-Red B- Blue
③	15W:	The LED power is 15W
④	C:	AC90-260V
⑤	1:	Single row LED

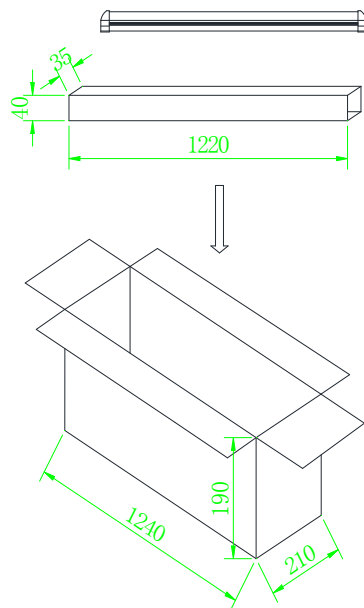
Product Dimensions:



Notes:

1. All dimensions unit in mm
2. Tolerances are $\pm 0.5\text{mm}$ unless otherwise noted.

Package Dimension:



Small carton
35L*40W*1220Hmm
1.377"L*1.571"W*48.03"H
1pcs GT8 Tube light inside

Big carton
1240L*210W*190Hmm
48.82"L*8.27"W*7.48"H
25pcs GT8 Tube light inside

Installation Instructions and Warnings:

- Turn off power before inspection, installation, or removal.
- Not for use where exposed to the weather
- Do not use in totally enclosed fixtures.
- Not for use with dimmers.
- Please make sure to use a suitable adapter. Please mind the minimum load of your adapter.

The maximum input current is measured at maximum load: 0.3A@ 100~240VAC

Notes:

The part number, type, and specifications mentioned in this document are subject to future change and improvement without notice. Before production usage customer should refer to the latest datasheet for the updated specifications.