



### Features:

- Provide 120° beam angles.
- Easy Installation:
  - Using Existing G13 Fixture.
- Low Power Consumption: Less than 24 Watts.
- Long lifetime: 25000 hours (L<sub>70</sub>).
- Sturdy Construction:
  - PC Cover and Aluminium Lamp Shell.
- Operating temperature: -20°C~+60°C.
- 90-260V AC input.
- LED Type : 2835 LED /192PCS.

### Benefits:

- Energy Cost Savings:
  - Over 60% Compared to Incandescent.
- Solid-State:
  - High-Shock & High-Vibration Resistant, Both Electrical and Mechanical
- Energy Cost Savings:
- Eco-Friendly:
  - No Mercury, No Lead Content
- No Hazardous Emissions:
  - No UV or IR Radiation
- Constant Light Output:
  - Even Lighting, Non-Halation

### Applications:

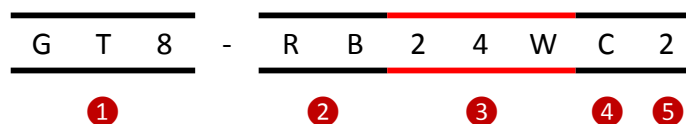
- Grow lights
- Flower shed lighting
- Other Lighting

**Product Specifications:**

Lamp Shell	Aluminium And PC
Input Voltage	90-260V AC
Wattage	24W
Power Factor	--
Operating frequency	50-60Hz
Operating Temperature	-20°C ~ +60°C
Storage Temperature	-30°C ~ +70°C
Net Weight per piece (Kg)	0.36KG
Certifications	RoHS Compliant
Size	1200*32*35mm

**Product Selection Guide:**

Part No.	Beam Angle	Total Lumens	CCT/ wavelength	Color	CRI
GT8-RB24WC2	120°	--	660-665nm	Red	--
			460-465nm	Blue	--



# LED Grow Light Lamp Series

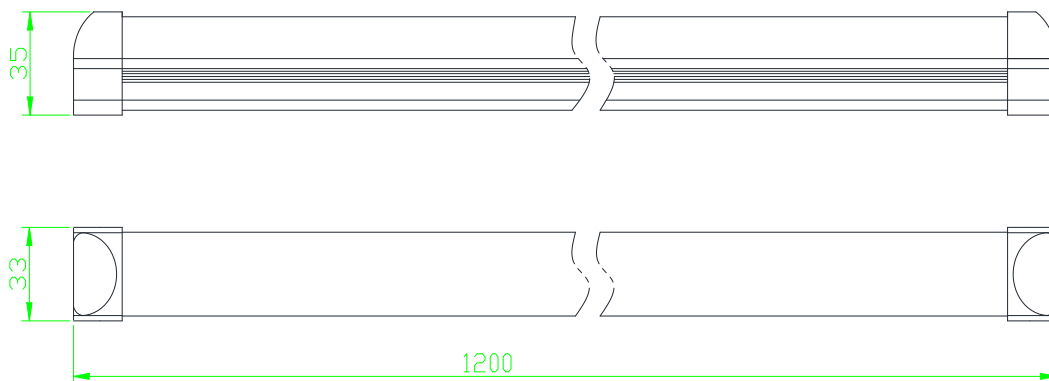
## Data Sheet

**GT8-RB24WC2**

**AC90-260V, 24W**

①	GT8:	Product Type.
②	RB:	R-Red B- Blue
③	24W:	The LED power is 24W
④	C:	AC90-260V
⑤	2:	Double row LED

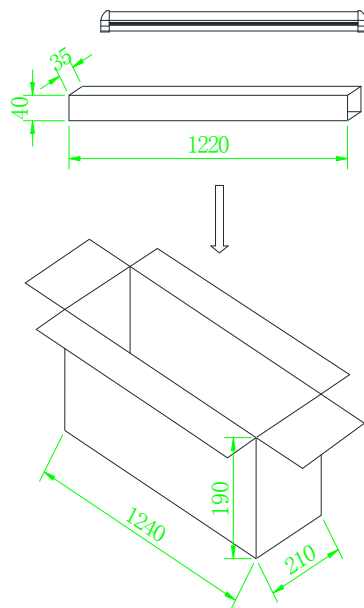
### Product Dimensions:



#### Notes:

1. All dimensions unit in mm
2. Tolerances are  $\pm 0.5\text{mm}$  unless otherwise noted.

### Package Dimension:



Small carton  
35L\*40W\*1220Hmm  
1.377"L\*1.571"W\*48.03"H  
1pcs GT8 Tube light inside

Big carton  
1240L\*210W\*190Hmm  
48.82"L\*8.27"W\*7.48"H  
25pcs GT8 Tube light inside

### Installation Instructions and Warnings:

- Turn off power before inspection, installation, or removal.
- Not for use where exposed to the weather
- Do not use in totally enclosed fixtures.
- Not for use with dimmers.
- Please make sure to use a suitable adapter. Please mind the minimum load of your adapter.

The maximum input current is measured at maximum load: 0.3A@ 100~240VAC

#### Notes:

The part number, type, and specifications mentioned in this document are subject to future change and improvement without notice. Before production usage customer should refer to the latest datasheet for the updated specifications.