



Features:

- No UV or IR light radiation.
- Provide 45° beam angles.
- Easy Installation: Using Existing GU10 Fixture.
- Low Power Consumption: Less than 9 Watts.
- Long lifetime: 25000 hours (L₇₀).
- Sturdy Construction:
- UV Stabilized PMMA Lens And Aluminium alloy Lamp Shell.
- High CRI: 70-85.
- Correlated Color Temperature: 2700-6500K.
- Operating temperature: -20°C~+60°C.
- 100-240V AC input.
- Replaces GU10 Halogen Bulbs up to 35 Watts

Benefits:

- Energy Cost Savings:
Over 60% Compared to Incandescent.
- Solid-State:
High-Shock & High-Vibration Resistant,
Both Electrical and Mechanical
- Energy Cost Savings:
- Eco-Friendly:
No Mercury, No Lead Content
- No Hazardous Emissions:
No UV or IR Radiation
- Constant Light Output:
Even Lighting, Non-Halation

Applications:

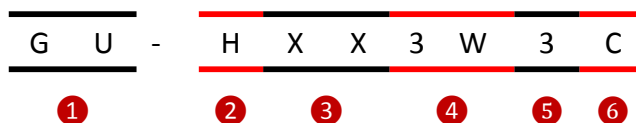
- Track Lighting
- Accent / Spot Lighting
- Display / Cabinet / Kiosk Lighting
- Architectural Lighting
- Art Gallery and Museum Lighting
- Other Lighting

Product Specifications:

Lens	PMMA
Lamp Shell	Aluminium alloy
Input Voltage	100-240V AC
Base Type	GU10
Wattage	9W
Power Factor	PF \geq 0.7
Operating frequency	50-60Hz
Operating Temperature	-20°C ~ +60°C
Storage Temperature	-30°C ~ +70°C
Net Weight per piece (Kg)	0.045
Certifications	RoHS Compliant
Size	Ø49*61mm

Product Selection Guide:

Part No.	Beam Angle	Total Lumens	CCT	Color	CRI
GU-HWW3W3C	45°	360±5%	2700-3500K	Warm White	≥70
GU-HW3W3C	45°	420±5%	6000-6500K	White	≥70



GU10 LED Light Lamp Series

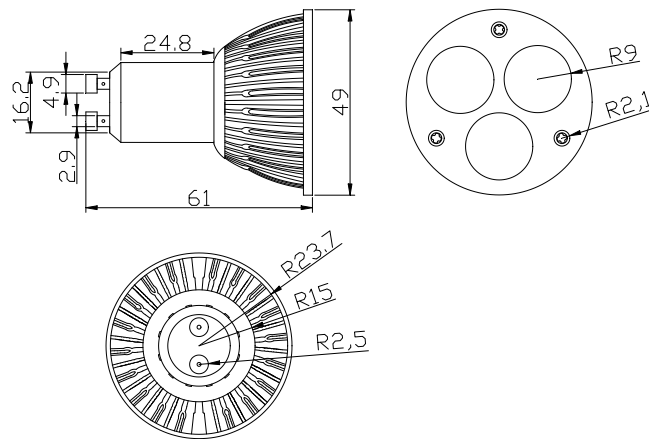
Data Sheet

GU10-HXX3W3C

AC100-240V, 9W, LED Bulbs

①	GU:	Product Type
②	H:	High Power LED Type
③	XX:	WW- Warm White W-White
④	3W:	The single LED power is 3W
⑤	3:	3pcs of LED
⑥	C:	AC 100-240V

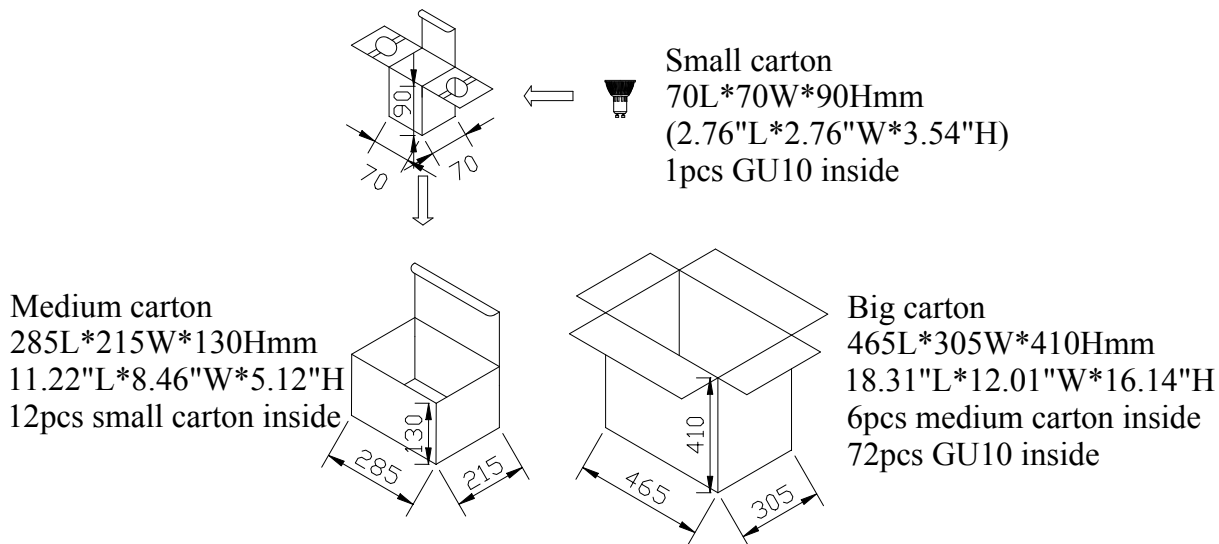
Product Dimensions:



Notes:

1. All dimensions unit in mm
2. Tolerances are ± 0.5 mm unless otherwise noted.

Package Dimension:



Installation Instructions and Warnings:

- Turn off power before inspection, installation, or removal.
- Not for use where exposed to the weather
- Do not use in totally enclosed fixtures.
- Not for use with dimmers.
- Please make sure to use a suitable adapter. Please mind the minimum load of your adapter.

Notes:

The part number, type, and specifications mentioned in this document are subject to future change and improvement without notice. Before production usage customer should refer to the latest datasheet for the updated specifications.