



### Features:

- Provide 120° beam angles.
- Easy Installation.
- Long lifetime: 25000 hours (L<sub>70</sub>).
- Sturdy Construction:
  - ABS Lamp shell.
  - Solar charging, energy saving, environmental protection.
  - Flash mode: with memory function, after power off, restart does not reset.
- Correlated Color Temperature:2700-6500K.
- Solar panel: 2V 0.5W (polysilicon).
- Lithium battery: 18650 3.7V 800mAh .
- Operating temperature: -20°C~+60°C.
- 3.7V DC input.
- Waterproof:IP65.
- charging time: 8 hours.
- length of work:6-12hours.

### Benefits:

- Energy Cost Savings:  
Over 60% Compared to Incandescent.
- Solid-State:  
High-Shock & High-Vibration Resistant,  
Both Electrical and Mechanical
- Energy Cost Savings:
- Eco-Friendly:  
No Mercury, No Lead Content
- No Hazardous Emissions:  
No UV or IR Radiation
- Constant Light Output:  
Even Lighting, Non-Halation

### Applications:

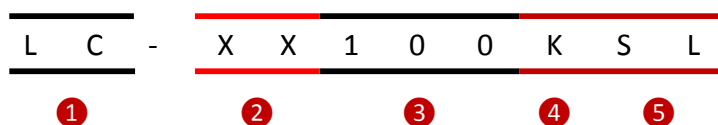
- Decorative lighting
- Holiday lighting
- Other Lighting

Product Specifications:

Input Voltage	3.7V DC
IP	IP65
Wattage	--
Power Factor	--
Operating frequency	--
Operating Temperature	-20°C ~ +60°C
Storage Temperature	-30°C ~ +70°C
Net Weight per piece (Kg)	0.285KG
Certifications	RoHS Compliant

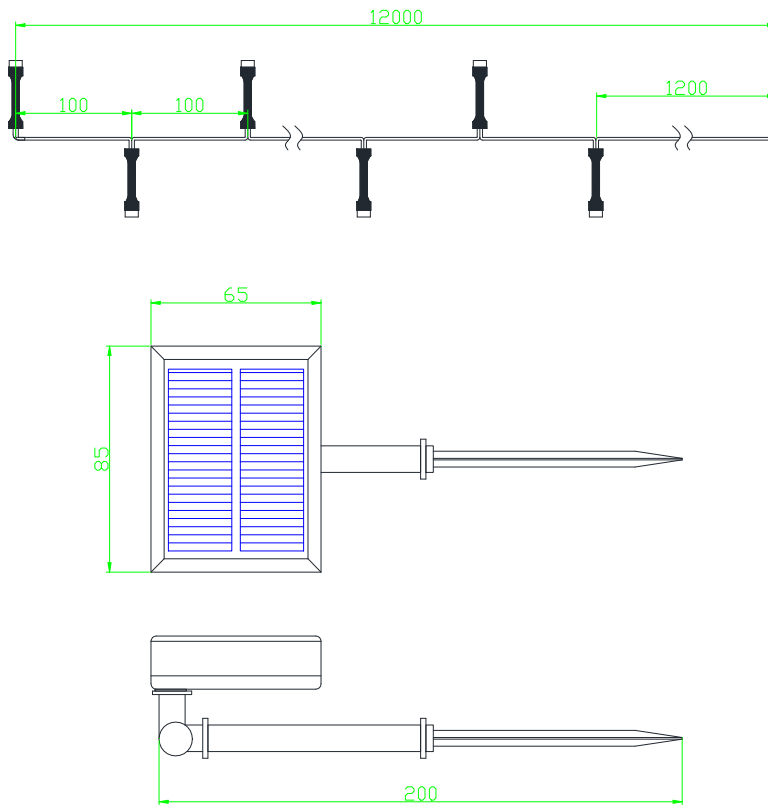
Product Selection Guide:

Part No.	Beam Angle	Total Lumens	CCT/ wavelength	Color	CRI
LC-RGBY100K-SL	120°	--	620-630nm	Red	--
		--	520-530nm	Green	--
		--	460-470nm	Blue	--
		--	585-595nm	Yellow	--
LC-WW100K-SL		26±10%	2700-3500K	Warm White	≥70
LC-W100K-SL		30±10%	5500-6500K	White	≥70



①	WL:	Product Type
②	XX:	R-Red G-Green B-Blue Y-Yellow WW-Warm White W-White
③	100:	100 pcs of LEDs
④	K:	DC3.7V
⑤	SL:	Solar lights

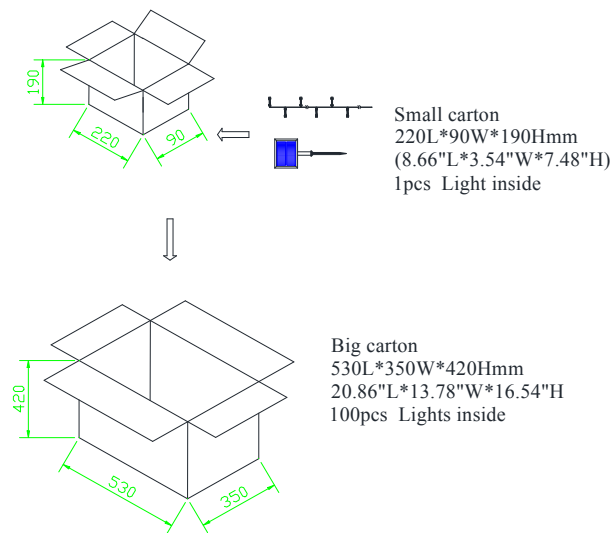
### Product Dimensions:



### Notes:

1. All dimensions unit in mm
2. Tolerances are  $\pm 10$ mm unless otherwise noted.

### Package Dimension:



### Installation Instructions and Warnings:

- Turn off power before inspection, installation, or removal.
- Not for use where exposed to the weather
- Do not use in totally enclosed fixtures.
- Not for use with dimmers.
- Please make sure to use a suitable adapter. Please mind the minimum load of your adapter.

#### Notes:

The part number, type, and specifications mentioned in this document are subject to future change and improvement without notice. Before production usage customer should refer to the latest datasheet for the updated specifications.