



Features:

- No UV or IR light radiation.
- Provide 60° beam angles.
- Easy Installation.
- Low Power Consumption: Less than 4 Watts.
- Long lifetime: 25000 hours (L₇₀).
- Sturdy Construction.
- High CRI: 70-85
- Correlated Color Temperature: 2700-6500K.
- Operating temperature: -20°C~+60°C.
- 3.7V DC input.
- Solar panels: DC5.5V 1.7W.
- Lithium Battery: DC3.7V 2200mA.
- Operating Time: >12H.
- Protection grade: IP65.

Benefits:

- Energy Cost Savings:
Over 60% Compared to Incandescent.
- Solid-State:
High-Shock & High-Vibration Resistant,
Both Electrical and Mechanical
- Energy Cost Savings:
- Eco-Friendly:
No Mercury, No Lead Content
- No Hazardous Emissions:
No UV or IR Radiation
- Constant Light Output:
Even Lighting, Non-Halation

Applications:

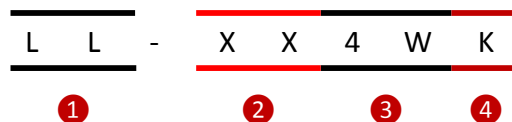
- Garden Lighting
- Lawn Lighting
- Other Lighting

Product Specifications:

Input Voltage	3.7V DC
IP	IP65
Wattage	4W
Power Factor	--
Operating frequency	--
Operating Temperature	-20°C ~ +60°C
Storage Temperature	-30°C ~ +60°C
Net Weight per piece (Kg)	0.4KG
Certifications	RoHS Compliant

Product Selection Guide:

Part No.	Beam Angle	Total Lumens	CCT	Color	CRI
LL-WW4WK	60°	100±5%	2700-3500K	Warm White	≥70
LL-W4WK	60°	120±5%	5500-6500K	White	≥70



Solar lawn Light Lamp Series

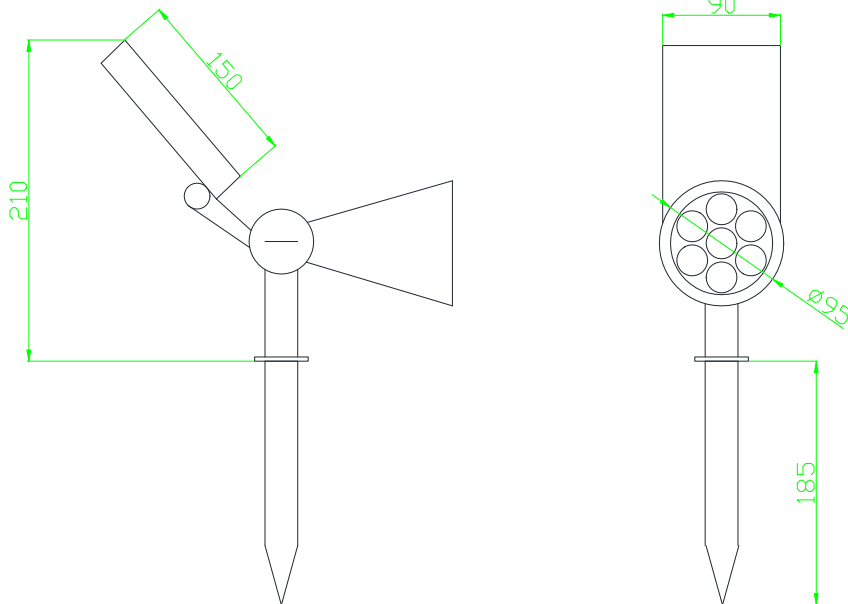
Data Sheet

LL-XX4WK

DC3.7V, 4W

①	LL:	Product Type.
②	XX:	WW-Warm White W-White
③	4W:	The single LED power is 4W
④	K:	DC3.7V

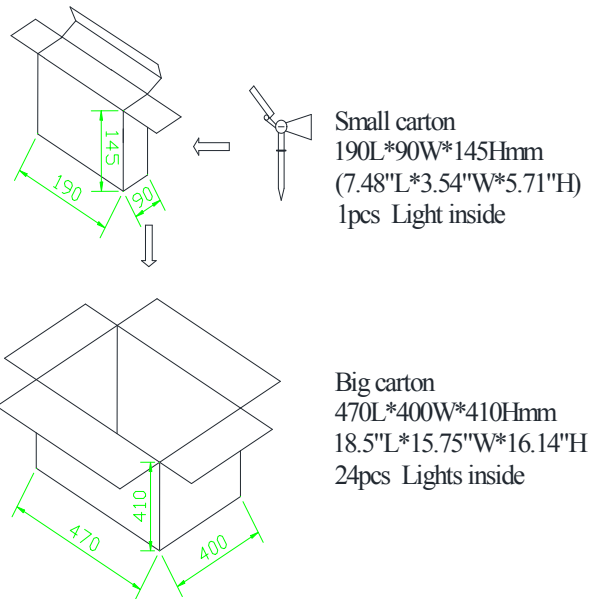
Product Dimensions:



Notes:

1. All dimensions unit in mm
2. Tolerances are ± 0.5 mm unless otherwise noted.

Package Dimension:



Installation Instructions and Warnings:

- Turn off power before inspection, installation, or removal.
- Not for use where exposed to the weather
- Do not use in totally enclosed fixtures.
- Not for use with dimmers.
- Please make sure to use a suitable adapter. Please mind the minimum load of your adapter.

Notes:

The part number, type, and specifications mentioned in this document are subject to future change and improvement without notice. Before production usage customer should refer to the latest datasheet for the updated specifications.