

### Features:



- No UV or IR light radiation.
- Provide 160° beam angles.
- Easy Installation.
- Low Power Consumption: Less than 0.6 Watts
- Long lifetime: 25000 hours (L<sub>70</sub>).
- High CRI: 70-85.
- Correlated Color Temperature: 2700-6500K.
- 2 leds is a modules, 50 modules per series.
- Operating temperature: -20°C~+60°C.
- 12V DC input.
- Waterproof grade: IP67.
- LED Type: 2835 LED.

### Benefits:

- Energy Cost Savings:  
Over 60% Compared to Incandescent.
- Solid-State:  
High-Shock & High-Vibration Resistant,  
Both Electrical and Mechanical
- Energy Cost Savings:
- Eco-Friendly:  
No Mercury, No Lead Content
- No Hazardous Emissions:  
No UV or IR Radiation
- Constant Light Output:  
Even Lighting, Non-Halation

### Applications:

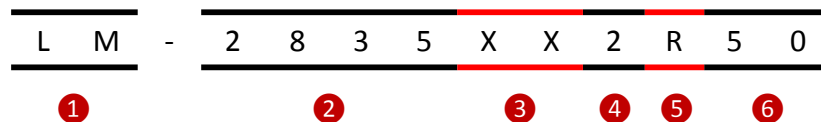
- Advertisement signboard lighting
- Exhibition stand lighting
- Showcase lighting
- Jewelry lighting
- Club lighting
- Bar lighting
- Other Lighting

**Product Specifications:**

Input Voltage	12V DC
Wattage(per module)	0.6W
Current (per module)	50mA
Operating frequency	50-60Hz
Operating Temperature	-20°C ~ +60°C
Storage Temperature	-30°C ~ +60°C
Net Weight per piece (Kg)	0.35
Certifications	RoHS Compliant

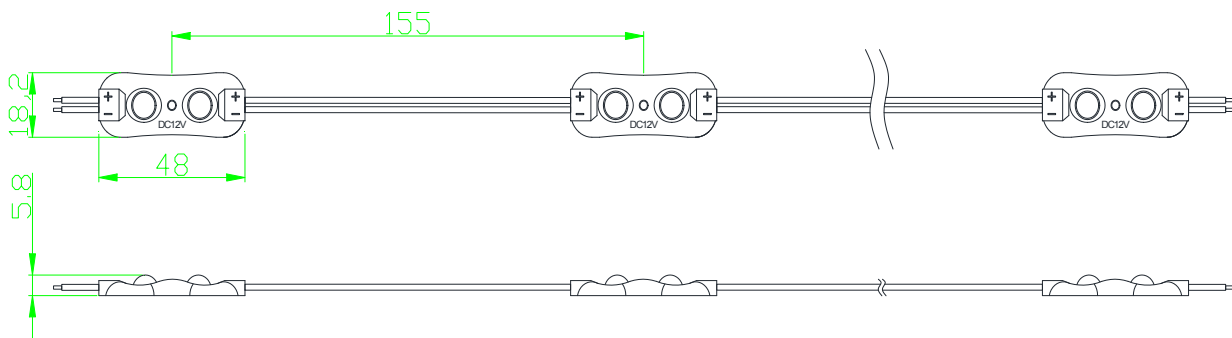
**Product Selection Guide:**

Part No.	Beam Angle	Total Lumens	CCT/ wavelength	Color	CRI
LM-2835WW2R-50	160°	55±5%	2700-3500K	Warm White	≥70
LM-2835W2R-50	160°	60±5%	6000-6500K	White	≥70



①	LM:	Waterproof LED Modules
②	2835:	LED Type
③	XX:	WW-Warm White W-White
④	2:	2 leds is a modules
⑤	R:	DC 12V
⑥	50:	50 modules per series

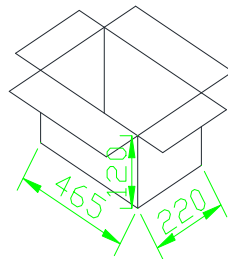
### Product Dimensions:



### Notes:

1. All dimensions unit in mm
2. Tolerances are  $\pm 1$ mm unless otherwise noted.

Package Dimension:



Big carton  
465L\*220W\*120Hmm  
(18.31"L\*8.66"W\*4.72"H)  
36pcs modules inside

Installation Instructions and Warnings:

- Turn off power before inspection, installation, or removal.
- Not for use where exposed to the weather
- Do not use in totally enclosed fixtures.
- Not for use with dimmers.
- Please make sure to use a suitable adapter. Please mind the minimum load of your adapter.

Notes:

The part number, type, and specifications mentioned in this document are subject to future change and improvement without notice. Before production usage customer should refer to the latest datasheet for the updated specifications.