

Features:

- No UV or IR light radiation.
- Provide 120° beam angles.
- Easy Installation.
- Low Power Consumption: Less than 12 Watts/m.
- Long lifetime: 25000 hours (L₇₀).
- High CRI: 70-85.
- Correlated Color Temperature: 2700-6500K.
- 60 leds per meter, each 3 of Led as one series, each series can be cutted, 5 meter per roll.
- Operating temperature: -20°C~+60°C.
- 12V DC input.
- Led type: 2835 LED.
- Adhesive Available.
- Waterproof grade: IP20.



Benefits:

- Energy Cost Savings:
Over 60% Compared to Incandescent.
- Solid-State:
High-Shock & High-Vibration Resistant,
Both Electrical and Mechanical
- Energy Cost Savings:
- Eco-Friendly:
No Mercury, No Lead Content
- No Hazardous Emissions:
No UV or IR Radiation
- Constant Light Output:
Even Lighting, Non-Halation

Applications:

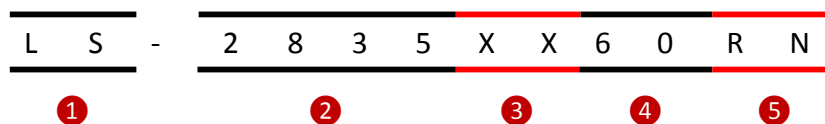
- Advertisement signboard lighting
- Exhibition stand lighting
- Showcase lighting
- Jewelry lighting
- Club lighting
- Bar lighting
- Other Lighting

Product Specifications:

Input Voltage	12V DC
Wattage	12W/m
Operating frequency	50-60Hz
Operating Temperature	-20°C ~ +60°C
Storage Temperature	-30°C ~ +70°C
Net Weight per piece (Kg)	0.095kg
Certifications	RoHS Compliant

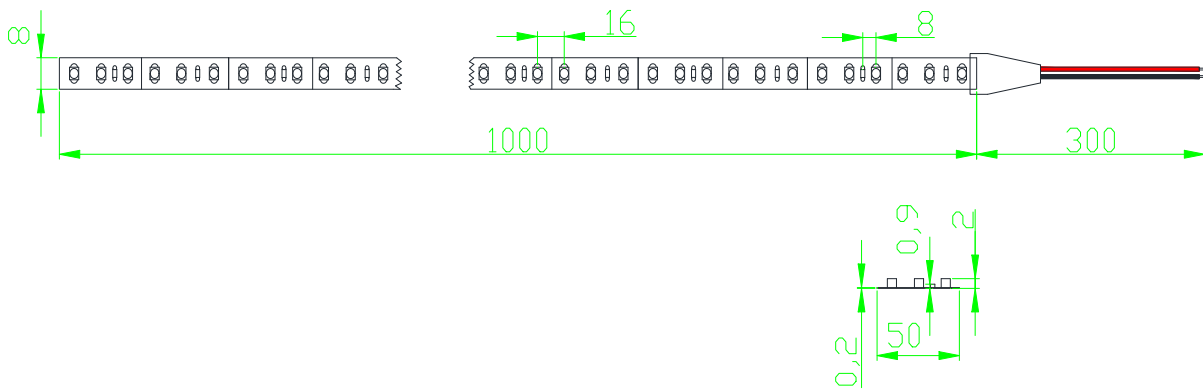
Product Selection Guide:

Part No.	Beam Angle	Total Lumens	CCT/ wavelength	Color	CRI
LS-2835WW60RN	120°	1000±5%	2700-3500K	Warm White	≥70
LS-2835W60RN	120°	1100±5%	6000-6500K	White	≥70



①	LS:	Light Strip.
②	2835:	LED Type
③	XX:	WW-Warm White W-White
④	60:	60 pcs of LEDs
⑤	RN:	DC 12V

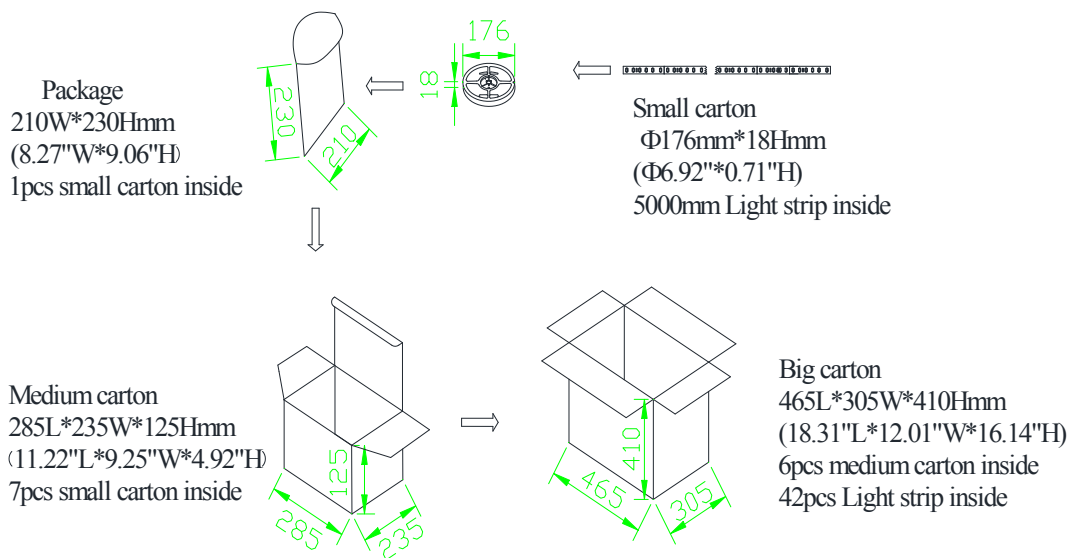
Product Dimensions:



Notes:

1. All dimensions unit in mm
2. Tolerances are $\pm 0.5\text{mm}$ unless otherwise noted.

Package Dimension:



Installation Instructions and Warnings:

- Turn off power before inspection, installation, or removal.
- Not for use where exposed to the weather
- Do not use in totally enclosed fixtures.
- Not for use with dimmers.
- Please make sure to use a suitable adapter. Please mind the minimum load of your adapter.

Notes:

The part number, type, and specifications mentioned in this document are subject to future change and improvement without notice. Before production usage customer should refer to the latest datasheet for the updated specifications.