



Features:

- No UV or IR light radiation.
- Provide 120° beam angles.
- Easy Installation.
- Low Power Consumption: Less than 4.8 Watts/m.
- Long lifetime: 25000 hours (L₇₀).
- High CRI: 70-85.
- Correlated Color Temperature: 2700-12000K.
- 60 pcs of LED per meter, each 6 pcs of LED as one series, each series can be cutted, 5 meter per roll.
- Operating temperature: -20°C~+60°C.
- 24V DC input.
- Led type: 3528 LED.
- PCB color: White PCB.
- Adhesive Available

Benefits:

- Energy Cost Savings:
Over 60% Compared to Incandescent.
- Solid-State:
High-Shock & High-Vibration Resistant,
Both Electrical and Mechanical
- Energy Cost Savings:
- Eco-Friendly:
No Mercury, No Lead Content
- No Hazardous Emissions:
No UV or IR Radiation
- Constant Light Output:
Even Lighting, Non-Halation

Applications:

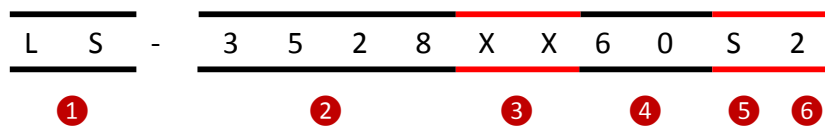
- Advertisement signboard lighting
- Exhibition stand lighting
- Showcase lighting
- Jewelry lighting
- Club lighting
- Bar lighting
- Other Lighting

Product Specifications:

Input Voltage	24V DC
Wattage	4.8W/m
Operating frequency	---
Operating Temperature	-20°C ~ +60°C
Storage Temperature	-30°C ~ +70°C
Net Weight per piece (Kg)	---
Certifications	RoHS Compliant

Product Selection Guide:

Part No.	Beam Angle	Total Lumens	CCT/ wavelength	Color	CRI
LS-3528NW60S-2	120°	1100±5%	4000-4500K	Neuter White	≥70



Light Strip LED Lamp Series

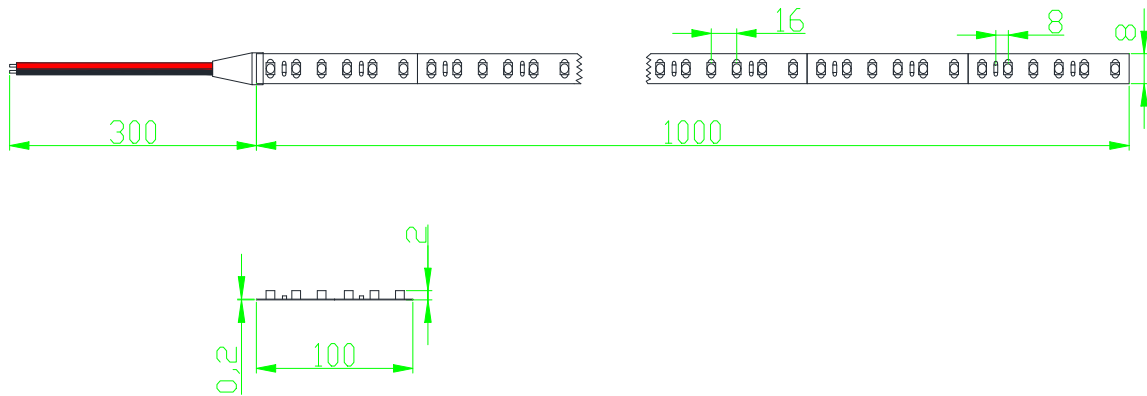
Data Sheet

LS-3528XX60S-2

DC 24V, 4.8W/M

①	LS:	Light Strip.
②	3528:	LED Type
③	XX:	NW-Neuter White
④	60:	60 pcs of LEDs
⑤	S:	DC 24V
⑥	2:	Waterproof grade IP20

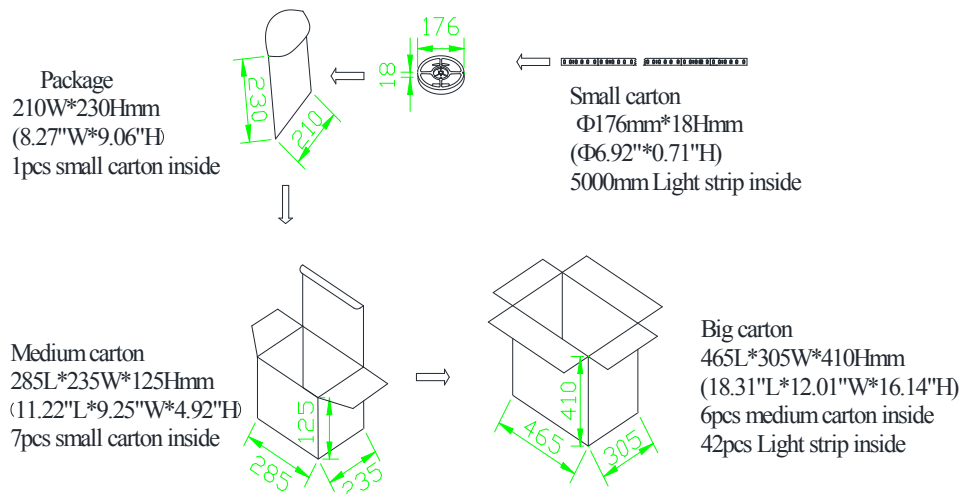
Product Dimensions:



Notes:

1. All dimensions unit in mm
2. Tolerances are ± 0.5 mm unless otherwise noted.

Package Dimension:



Installation Instructions and Warnings:

- Turn off power before inspection, installation, or removal.
- Not for use where exposed to the weather
- Do not use in totally enclosed fixtures.
- Not for use with dimmers.
- Please make sure to use a suitable adapter. Please mind the minimum load of your adapter.
- 5A adapter (May actuate 20 meter lamp strip):
 Adapter Input Voltage: AC100-240V.
 Adapter Output Voltage: DC24V.
 Operation Range: 90 – 264VAC.

Notes:

The part number, type, and specifications mentioned in this document are subject to future change and improvement without notice. Before production usage customer should refer to the latest datasheet for the updated specifications.