



### Features:

- No UV or IR light radiation.
- Provide 120° beam angles.
- Easy Installation.
- Low Power Consumption: Less than 14.4 Watts/m.
- Long lifetime: 25000 hours (L<sub>70</sub>).
- High CRI: 70-85.
- Correlated Color Temperature: RGB color.
- 60 leds per meter, each 3 leds as one series, each series can be cutted ,5 meter per roll.
- Operating temperature: -20°C~+60°C.
- 12V DC input.
- Led type: 5050 LED.
- Waterproof level: IP54.

### Benefits:

- Energy Cost Savings:  
Over 60% Compared to Incandescent.
- Solid-State:  
High-Shock & High-Vibration Resistant,  
Both Electrical and Mechanical
- Energy Cost Savings:
- Eco-Friendly:  
No Mercury, No Lead Content
- No Hazardous Emissions:  
No UV or IR Radiation
- Constant Light Output:  
Even Lighting, Non-Halation

### Applications:

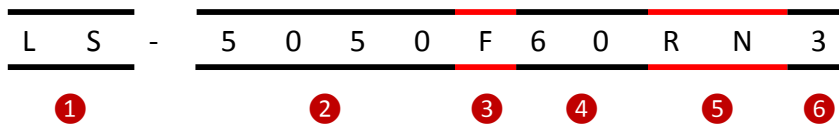
- Advertisement signboard lighting
- Exhibition stand lighting
- Showcase lighting
- Jewelry lighting
- Club lighting
- Bar lighting
- Other Lighting

**Product Specifications:**

Input Voltage	12V DC
Wattage	14.4W/m
Operating frequency	---
Operating Temperature	-20°C ~ +60°C
Storage Temperature	-30°C ~ +70°C
Net Weight per piece (Kg)	---
Certifications	RoHS Compliant

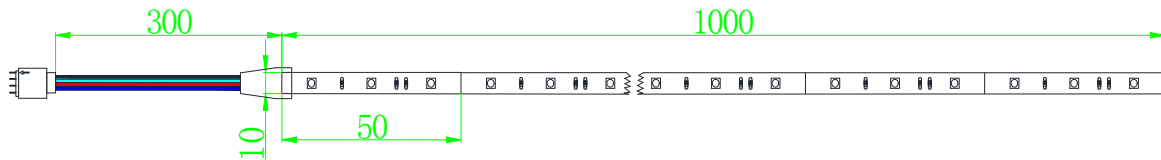
**Product Selection Guide:**

Part No.	Beam Angle	Total Lumens	CCT/ wavelength	Color	CRI
LS-5050F60RN-3	120°	600±5%	Red 624nm	Full	--
			Green 525nm		
			Blue 470nm		



①	LS:	Light Strip.
②	5050:	LED Type
③	F:	Full color
④	60:	60 pcs of LEDs
⑤	RN:	DC 12V
⑥	3:	Waterproof grade IP 54

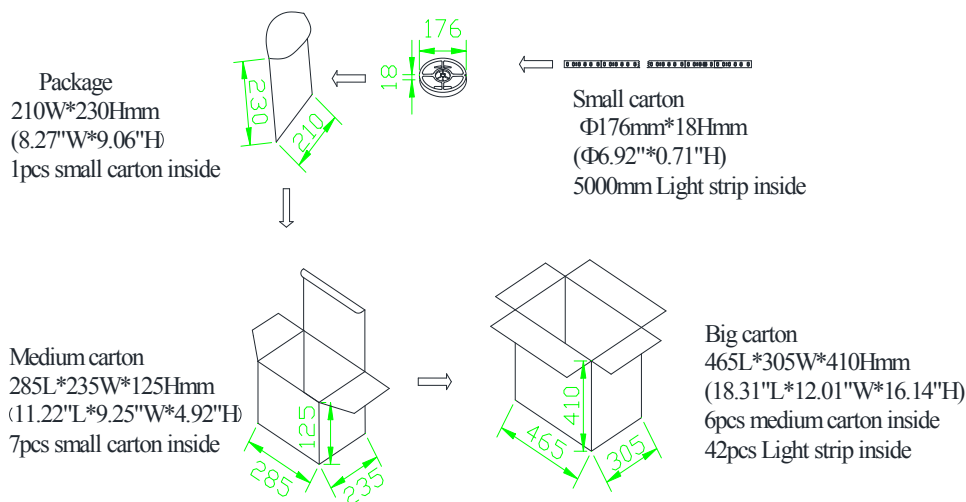
### Product Dimensions:



### Notes:

1. All dimensions unit in mm
2. Tolerances are  $\pm 0.5\text{mm}$  unless otherwise noted.

### Package Dimension:



### Installation Instructions and Warnings:

- Turn off power before inspection, installation, or removal.
- Not for use where exposed to the weather
- Do not use in totally enclosed fixtures.
- Not for use with dimmers.
- Please make sure to use a suitable adapter. Please mind the minimum load of your adapter.
- 5A adapter (May actuate 5 meter lamp strip):  
Adapter Input Voltage: AC100-240V.  
Adapter Output Voltage: DC12V.  
Operation Range: 90 – 264VAC.  
The maximum input current is measured at maximum load: 0.5A@ 100~240VAC.

#### Notes:

The part number, type, and specifications mentioned in this document are subject to future change and improvement without notice. Before production usage customer should refer to the latest datasheet for the updated specifications.