



### Features:

- No UV or IR light radiation.
- Provide 120° beam angles.
- Easy Installation.
- Low Power Consumption: Less than 20 Watts.
- Long lifetime: 25000 hours (L<sub>70</sub>).
- Sturdy Construction:
- Sturdy Construction: UV Stabilized Aluminum Lamp Shell.
- High CRI: 70-85.
- Correlated Color Temperature: 2700-6500K.
- Operating temperature: -20°C~+60°C.
- 90-265V AC input.

### Benefits:

- Energy Cost Savings:  
Over 60% Compared to Incandescent.
- Solid-State:  
High-Shock & High-Vibration Resistant,  
Both Electrical and Mechanical
- Energy Cost Savings:
- Eco-Friendly:  
No Mercury, No Lead Content
- No Hazardous Emissions:  
No UV or IR Radiation
- Constant Light Output:  
Even Lighting, Non-Halation

### Applications:

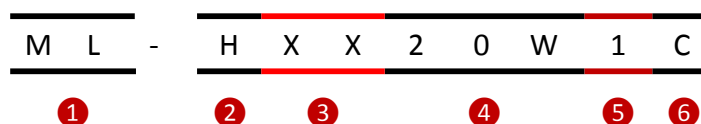
- Industrial and mining enterprises.
- Factories/garages.
- Highway toll stations/  
supermarkets.
- Exhibition hall/gymnasium/  
petroleum/chemical.
- Metallurgical and other key places  
of lighting etc.
- Other Lighting.

**Product Specifications:**

Lamp shell	Aluminium
Input Voltage	90-265V AC
Wattage	20W
Power Factor	PF $\geq$ 0.9
Operating frequency	50-60Hz
Operating Temperature	-20°C ~ +60°C
Storage Temperature	-30°C ~ +70°C
Net Weight per piece (Kg)	---
Certifications	RoHS Compliant

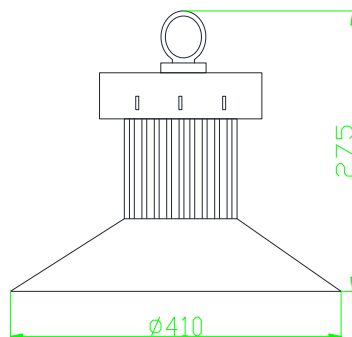
**Product Selection Guide:**

Part No.	Beam Angle	Total Lumens	CCT	Color	CRI
ML-HWW20W1C	120°	1200 $\pm$ 5%	2900-3300K	Warm White	$\geq$ 80
ML-HW20W1C	120°	1300 $\pm$ 5%	5500-6000K	White	$\geq$ 70



①	PJ:	Product Type.
②	H:	High Power LED Series
③	XX:	WW-Warm White W-White
④	20W:	The single LED power is 20W
⑤	1:	1 pcs of LED
⑥	C:	AC90-265V

### Product Dimensions:



### Notes:

1. All dimensions unit in mm
2. Tolerances are  $\pm 0.5\text{mm}$  unless otherwise noted.

### Installation Instructions and Warnings:

- Turn off power before inspection, installation, or removal.
- Not for use where exposed to the weather
- Do not use in totally enclosed fixtures.
- Not for use with dimmers.
- Please make sure to use a suitable adapter. Please mind the minimum load of your adapter.

### Notes:

The part number, type, and specifications mentioned in this document are subject to future change and improvement without notice. Before production usage customer should refer to the latest datasheet for the updated specifications.