



### Features:

- No UV or IR light radiation.
- Provide 30° beam angles.
- Easy Installation: Using Existing MR11/GU4 Fixture.
- Low Power Consumption: Less than 3 Watts.
- Long lifetime: 25000 hours (L<sub>70</sub>).
- Sturdy Construction:
- UV Stabilized PMMA Lens and Aluminium alloy lamp Shell.
- High CRI: 70-85.
- Correlated Color Temperature: 2700-6500K.
- Operating temperature: -10°C~+40°C.
- 12V AC/DC input.
- LED Type: 3030 LED/4PCS.

### Benefits:

- Energy Cost Savings:  
Over 60% Compared to Incandescent.
- Solid-State:  
High-Shock & High-Vibration Resistant,  
Both Electrical and Mechanical
- Energy Cost Savings:
- Eco-Friendly:  
No Mercury, No Lead Content
- No Hazardous Emissions:  
No UV or IR Radiation
- Constant Light Output:  
Even Lighting, Non-Halation

### Applications:

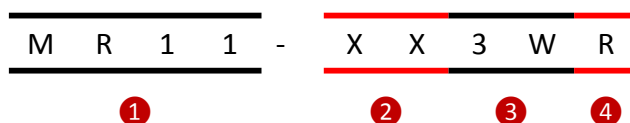
- Entertainment Lighting.
- Architectural lighting.
- City Beautification.lighting
- Landscape lighting.
- Furniture decoration lighting
- Other Lighting

**Product Specifications:**

Lens	PMMA
Lamp Shell	Aluminium Alloy
Input Voltage	12V AC/DC
Base Type	MR11/GU4
Wattage	3W
Power Factor	PF $\geq$ 0.7
Operating frequency	50-60Hz
Operating Temperature	-10°C ~ +40°C
Storage Temperature	-10°C ~ +40°C
Net Weight per piece (Kg)	0.02Kg
Certifications	RoHS Compliant

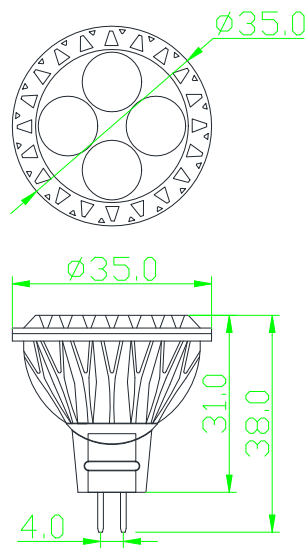
**Product Selection Guide:**

Part No.	Beam Angle	Total Lumens	CCT	Color	CRI
MR11-WW3WR	30°	200 $\pm$ 5%	2700-3500K	Warm White	$\geq$ 70
MR11-W3WR	30°	250 $\pm$ 5%	6000-6500K	White	$\geq$ 70



①	MR11:	Product Type.
②	XX:	W-White, WW- Warm White
③	3W:	The single LED power is 3W
④	R:	AC/DC 12V

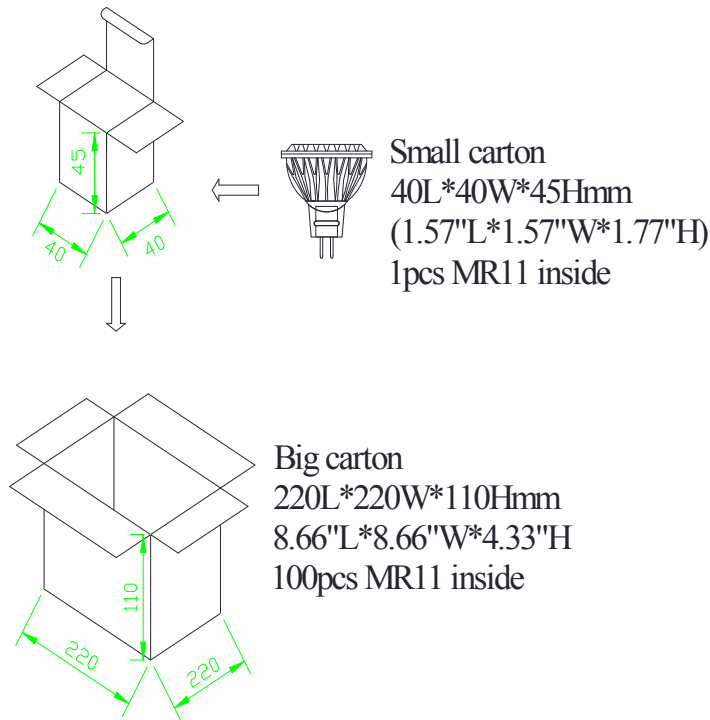
### Product Dimensions:



### Notes:

1. All dimensions unit in mm
2. Tolerances are  $\pm 0.5$ mm unless otherwise noted.

Package Dimension:



Installation Instructions and Warnings:

- Turn off power before inspection, installation, or removal.
- Not for use where exposed to the weather
- Do not use in totally enclosed fixtures.
- Not for use with dimmers.
- Please make sure to use a suitable adapter. Please mind the minimum load of your adapter.

Notes:

The part number, type, and specifications mentioned in this document are subject to future change and improvement without notice. Before production usage customer should refer to the latest datasheet for the updated specifications.