



Features:

- No UV or IR light radiation.
 - Provide 40° beam angles.
 - Easy Installation: Using Existing E27 Base Fixture.
 - Low Power Consumption: Less than 5 Watts.
 - Long lifetime: 25000 hours (L₇₀).
- Sturdy Construction:
- UV Stabilized PMMA Lens and aluminium alloy lamp Shell.
 - High CRI: 70-85.
 - Correlated Color Temperature: 2700-6500K.
 - Operating temperature: -20°C~+60°C.
 - 85-265V AC input.
 - LED Type: 1 COB.

Benefits:

- Energy Cost Savings:
Over 60% Compared to Incandescent.
- Solid-State:
High-Shock & High-Vibration Resistant,
Both Electrical and Mechanical
- Energy Cost Savings:
- Eco-Friendly:
No Mercury, No Lead Content
- No Hazardous Emissions:
No UV or IR Radiation
- Constant Light Output:
Even Lighting, Non-Halation

Applications:

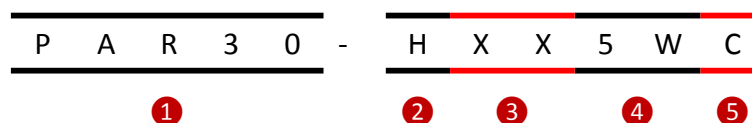
- Entertainment Lighting.
- Architectural lighting.
- City Beautification. lighting
- Landscape lighting.
- Furniture decoration lighting
- Other Lighting

Product Specifications:

Lens	PMMA
Lamp Shell	Aluminium Alloy
Input Voltage	85-265V AC
Base Type	E27
Wattage	5W
Power Factor	PF \geq 0.8
Operating frequency	50-60Hz
Operating Temperature	-20°C ~ +60°C
Storage Temperature	-30°C ~ +60°C
Net Weight per piece (Kg)	0.4Kg
Certifications	RoHS Compliant

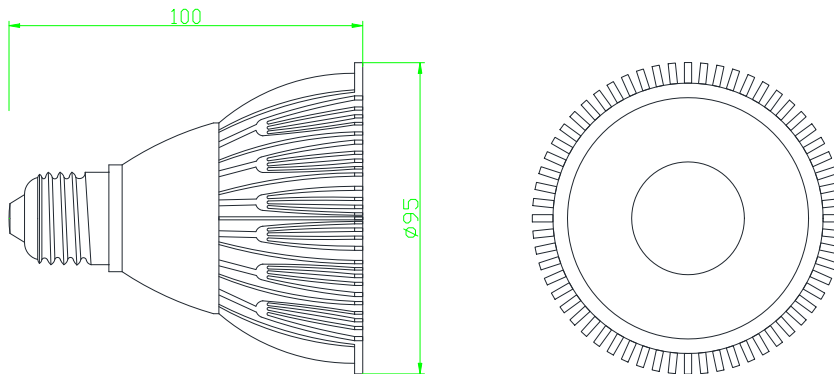
Product Selection Guide:

Part No.	Beam Angle	Total Lumens	CCT	Color	CRI
PAR30-HWW5WC	40°	400 \pm 5%	2700-3500K	Warm White	\geq 70
PAR30-HW5WC	40°	500 \pm 5%	6000-6500K	White	\geq 70



①	PAR30:	Product Type.
②	H:	High Power LED Series
③	XX:	W-White, WW- Warm White
④	5W:	The single LED power is 5W
⑤	C:	AC 85-265V

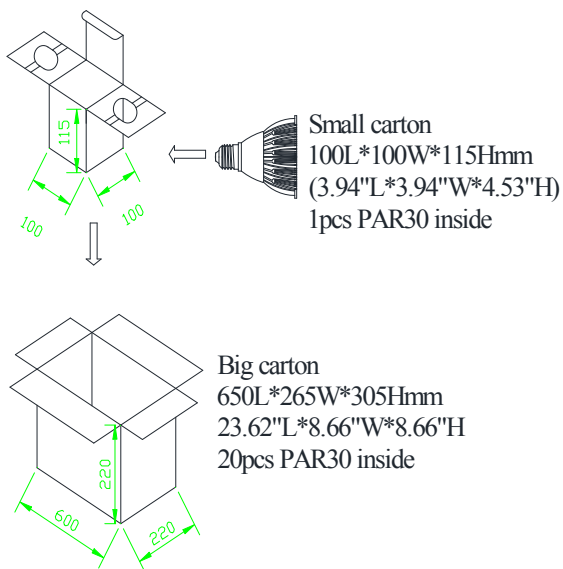
Product Dimensions:



Notes:

- 1. All dimensions unit in mm
- 2. Tolerances are ±0.5mm unless otherwise noted.

Package Dimension:



Installation Instructions and Warnings:

- Turn off power before inspection, installation, or removal.
- Not for use where exposed to the weather
- Do not use in totally enclosed fixtures.
- Not for use with dimmers.
- Please make sure to use a suitable adapter. Please mind the minimum load of your adapter.

Notes:

The part number, type, and specifications mentioned in this document are subject to future change and improvement without notice. Before production usage customer should refer to the latest datasheet for the updated specifications.