



### Features:

- No UV or IR light radiation.
- Provide 120° beam angles.
- Easy Installation.
- Low Power Consumption: Less than 36 Watts.
- High brightness, uniform light.
- Quick start, no blinking, no noise.
- Not subject to radio interference.
- Long lifetime: 25000 hours (L<sub>70</sub>).
- High CRI: 70-85.
- Correlated Color Temperature: 2700-6500K.
- Operating temperature: -20°C~+60°C.
- 100-240V AC input.
- LED Type : CEC.
- Protection grade: IP65.

### Benefits:

- Energy Cost Savings:  
Over 60% Compared to Incandescent.
- Solid-State:  
High-Shock & High-Vibration Resistant,  
Both Electrical and Mechanical
- Energy Cost Savings:
- Eco-Friendly:  
No Mercury, No Lead Content
- No Hazardous Emissions:  
No UV or IR Radiation
- Constant Light Output:  
Even Lighting, Non-Halation

### Applications:

- Conferences/meeting rooms/show rooms/ showcases Lighting
- Villa/Residential houses Lighting
- Architectural Lighting
- Art Gallery and Museum Lighting
- Factories/plants/warehouses/ offices Lighting
- Other Lighting

**Product Specifications:**

Lamp Shell	PC+Aluminum
Input Voltage	100-240V AC
Wattage	36W
Power Factor	PF $\geq$ 0.9
Operating frequency	50-60Hz
Operating Temperature	-20°C ~ +60°C
Storage Temperature	-30°C ~ +60°C
Net Weight per piece (Kg)	1.1KG
Certifications	RoHS Compliant
Size	1200*80*73mm

**Product Selection Guide:**

Part No.	Beam Angle	Total Lumens	CCT	Color	CRI
TPFL-W36WA	120°	3600 $\pm$ 10%	5500-6500K	White	$\geq$ 80



# LED Tri-proof Light Lamp Series

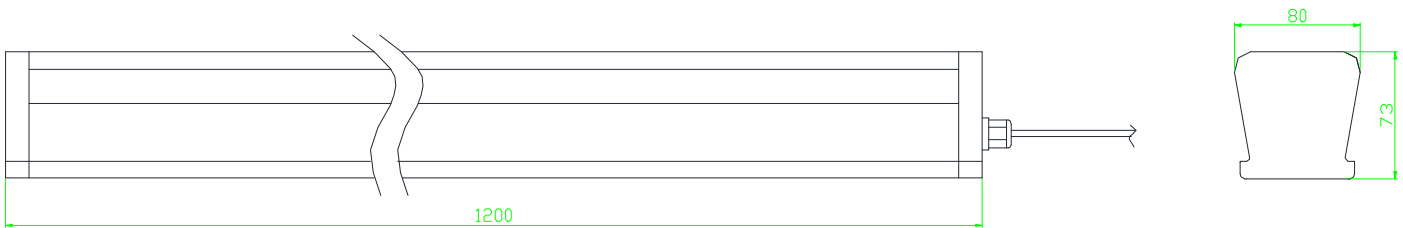
## Data Sheet

PFL-W36WA

AC100-240V, 36W

①	PFL:	Product Type.
②	W:	W- White
③	36W:	Power is 36W
④	A:	AC100-240V

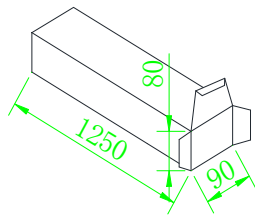
### Product Dimensions:



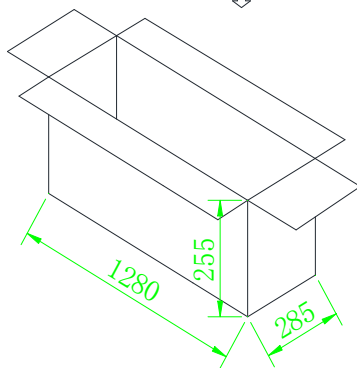
### Notes:

1. All dimensions unit in mm
2. Tolerances are  $\pm 0.5\text{mm}$  unless otherwise noted.

### Package Dimension:



Small carton  
1250L\*90W\*80Hmm  
49.22"L\*3.54"W\*3.15"H)  
1pcs tube light inside



Big carton  
1280L\*285W\*255Hmm  
50.4"L\*11.22"W\*10.04"H  
9pcs tube lights inside

### Installation Instructions and Warnings:

- Turn off power before inspection, installation, or removal.
- Not for use where exposed to the weather
- Do not use in totally enclosed fixtures.
- Not for use with dimmers.
- Please make sure to use a suitable adapter. Please mind the minimum load of your adapter.

#### Notes:

The part number, type, and specifications mentioned in this document are subject to future change and improvement without notice. Before production usage customer should refer to the latest datasheet for the updated specifications.