



Features:

- No UV or IR light radiation.
- Provide 180° beam angles.
- Easy Installation.
- Low Power Consumption: Less than 18 Watts.
- High brightness, uniform light.
- Quick start, no blinking, no noise.
- Not subject to radio interference.
- Long lifetime: 25000 hours (L₇₀).
- High CRI: 70-85.
- Correlated Color Temperature: 2700-6500K.
- Operating temperature: -20°C~+60°C.
- 85-265V AC input.
- LED Type : 2835/96PCS.

Benefits:

- Energy Cost Savings:
Over 60% Compared to Incandescent.
- Solid-State:
High-Shock & High-Vibration Resistant,
Both Electrical and Mechanical
- Energy Cost Savings:
- Eco-Friendly:
No Mercury, No Lead Content
- No Hazardous Emissions:
No UV or IR Radiation
- Constant Light Output:
Even Lighting, Non-Halation

Applications:

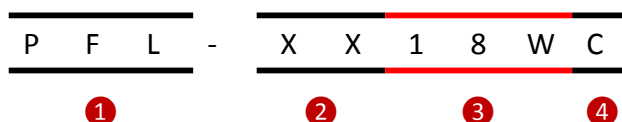
- Conferences/meeting rooms/show rooms/ showcases Lighting
- Villa/Residential houses Lighting
- Architectural Lighting
- Art Gallery and Museum Lighting
- Factories/plants/warehouses/ offices Lighting
- Other Lighting

Product Specifications:

Lamp Shell	PC+Aluminum
Input Voltage	85-265V AC
Wattage	18W
Power Factor	PF \geq 0.9
Operating frequency	50-60Hz
Operating Temperature	-20°C ~ +60°C
Storage Temperature	-30°C ~ +60°C
Net Weight per piece (Kg)	0.8KG
Certifications	RoHS Compliant
Size	630*82*67mm

Product Selection Guide:

Part No.	Beam Angle	Total Lumens	CCT	Color	CRI
TPFL-WW18WC	180°	2000 \pm 10%	2700-3500K	Warm White	\geq 80
TPFL-W18WC	180°	2070 \pm 10%	5500-6500K	White	\geq 80



LED Tri-proof Light Lamp Series

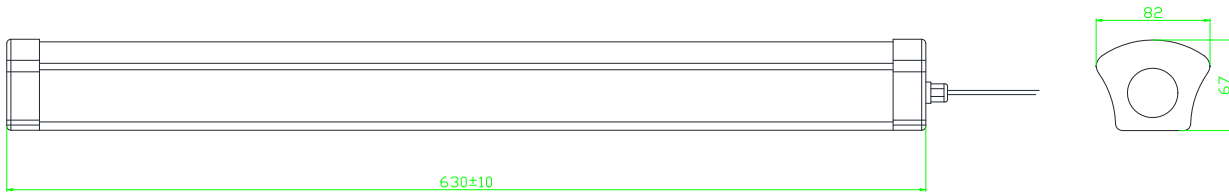
Data Sheet

PFL-XX18WC

AC85-265V, 18W

①	PFL:	Product Type.
②	XX:	WW- Warm White W- White
③	18W:	Power is 18W
④	C:	AC85-265V

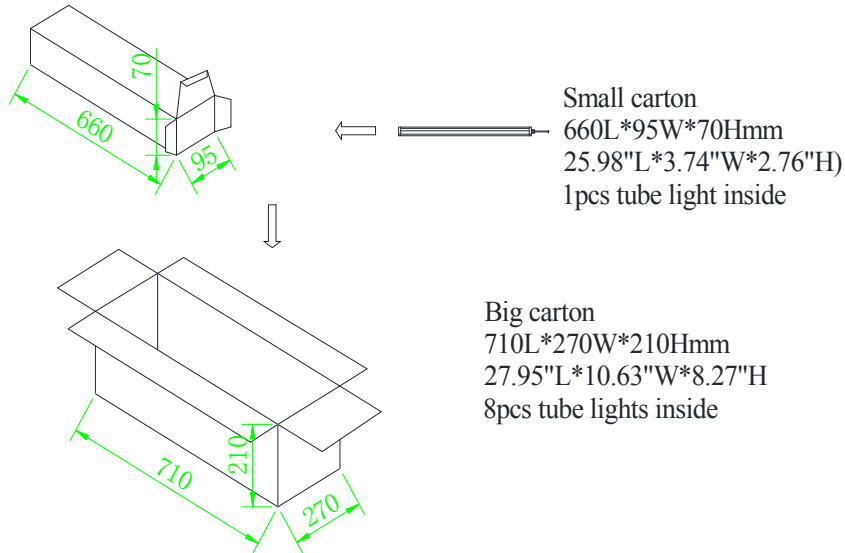
Product Dimensions:



Notes:

1. All dimensions unit in mm
2. Tolerances are ±0.5mm unless otherwise noted.

Package Dimension:



Installation Instructions and Warnings:

- Turn off power before inspection, installation, or removal.
- Not for use where exposed to the weather
- Do not use in totally enclosed fixtures.
- Not for use with dimmers.
- Please make sure to use a suitable adapter. Please mind the minimum load of your adapter.

Notes:

The part number, type, and specifications mentioned in this document are subject to future change and improvement without notice. Before production usage customer should refer to the latest datasheet for the updated specifications.