

### Features:

- Provide 120° beam angles.
- Easy Installation:
- Low Power Consumption: Less than 500 Watts.
- Long lifetime: 25000 hours (L<sub>70</sub>).
- Sturdy Construction:
  - Aluminium Lamp Shell.
- Operating temperature: -25°C~+45°C.
- 100-305V AC input.
- LED Type : 301B LED /350PCSx8.
- Full spectrum.
- Not dimmable.



### Benefits:

- Energy Cost Savings:
  - Over 60% Compared to Incandescent.
- Solid-State:
  - High-Shock & High-Vibration Resistant,
  - Both Electrical and Mechanical
- Energy Cost Savings:
- Eco-Friendly:
  - No Mercury, No Lead Content
- No Hazardous Emissions:
  - No UV or IR Radiation
- Constant Light Output:
  - Even Lighting, Non-Halation

### Applications:

- For hemp plants Lighting
- Other Lighting

## Product Specifications:

Lamp Shell	Aluminium
Input Voltage	100-305V AC
Wattage	500W
PPFD	Height:24" /0.6m, 581 $\mu$ mol/(m • s)
	Height:36" /0.8m, 406 $\mu$ mol/(m • s)
PPF	6x6 feet /1.8m*1.8m
Light Efficiency	300mA
PPF Efficiency	2.5 $\mu$ mol/S /W ( $\pm$ 0.3)
Spectrum	Full spectrum
Power Factor	PF $\geq$ 0.9
Operating frequency	50-60Hz
Operating Temperature	-25°C ~ +45°C
Storage Temperature	-30°C ~ +60°C
Net Weight per piece (Kg)	7.9KG
Certifications	CE Certification;RoHS Compliant
Size	1000*1000*91mm

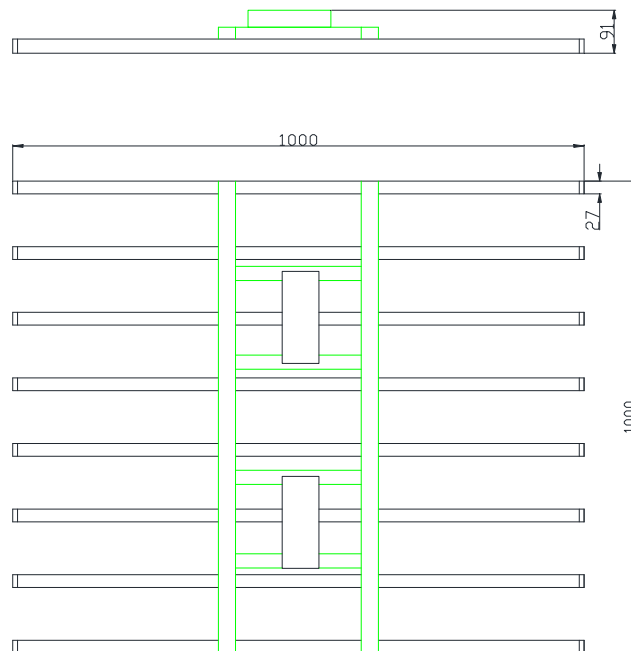
## Product Selection Guide:

Part No.	Beam Angle	Total Lumens	CCT/ wavelength	Color
PG-W500WC	120°	--	661nm	Full spectrum



①	PG:	Product Type.
②	W:	W-Full spectrum
③	500W:	The LED power is 500W
④	C:	AC100-305V

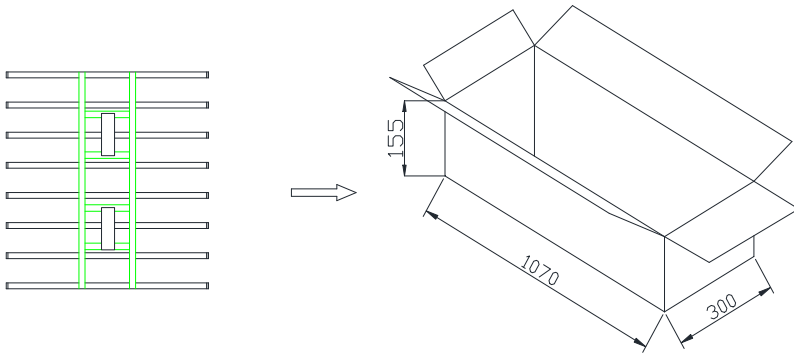
Product Dimensions:



Notes:

1. All dimensions unit in mm
2. Tolerances are ±5mm unless otherwise noted.

### Package Dimension:



Medium carton  
1070L\*300W\*155Hmm  
42.13"L\*11.82"W\*6.11"H  
1pcs LED Products inside

### Installation Instructions and Warnings:

- Turn off power before inspection, installation, or removal.
- Not for use where exposed to the weather
- Do not use in totally enclosed fixtures.
- Not for use with dimmers.
- One led driver is for 4 bars, can not light up two bars with one driver.
- For vision safety, do not look at the light directly when it is operational.
- Before use the grow bar, please kindly tear the clear film on the surface of the PC.