

Features:

- Provide 120° beam angles.
- Easy Installation:
- Low Power Consumption: Less than 600 Watts.
- Long lifetime: 25000 hours (L₇₀).
- Sturdy Construction:
- Aluminium Lamp Shell.
- Operating temperature: -25°C~+45°C.
- 100-277V AC input.
- LED Type : 2835 LED /1428PCS.
- Full spectrum.
- Not dimmable.

Benefits:

- Energy Cost Savings:
Over 60% Compared to Incandescent.
- Solid-State:
High-Shock & High-Vibration Resistant,
Both Electrical and Mechanical
- Energy Cost Savings:
- Eco-Friendly:
No Mercury, No Lead Content
- No Hazardous Emissions:
No UV or IR Radiation
- Constant Light Output:
Even Lighting, Non-Halation

Applications:

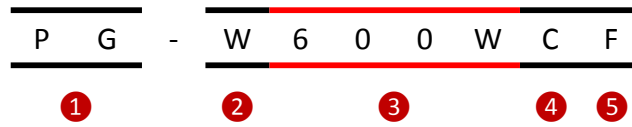
- For hemp plants Lighting
- Other Lighting

Product Specifications:

Lamp Shell	Aluminium
Input Voltage	100-277V AC
Wattage	600W
PPFD	Height:24" /0.6m, 623 μ mol/(m • s)
	Height:36" /0.8m, 456 μ mol/(m • s)
PPF	991.5 μ mol/s
Light Efficiency	150.4lm/W
PPF Efficiency	2.35 μ mol/S /W (\pm 0.3)
Spectrum	Full spectrum
Power Factor	PF \geq 0.9
Operating frequency	50-60Hz
Operating Temperature	-25°C ~ +45°C
Storage Temperature	-30°C ~ +60°C
Net Weight per piece (Kg)	8.3KG
Certifications	CE Certification;RoHS Compliant
Size	700*600*55mm

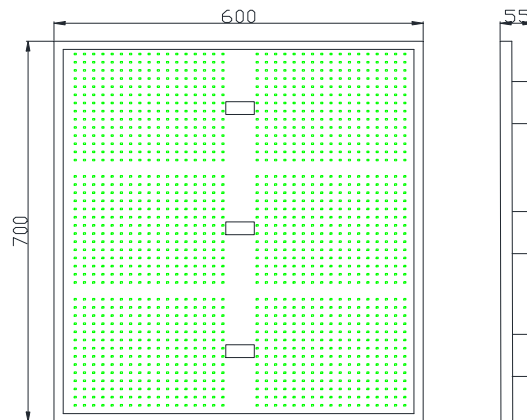
Product Selection Guide:

Part No.	Beam Angle	Total Lumens	CCT/ wavelength	Color
PG-W600WCF	120°	--	661nm	Full spectrum



①	PG:	Product Type.
②	W:	W-Full spectrum
③	600W:	The LED power is 600W
④	C:	AC100-277V
⑤	F:	Shell type

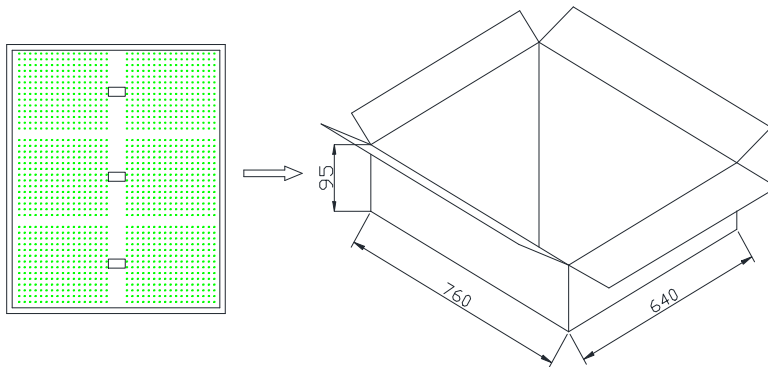
Product Dimensions:



Notes:

- 1. All dimensions unit in mm
- 2. Tolerances are ±5mm unless otherwise noted.

Package Dimension:



Medium carton
760L*640W*95Hmm
29.93"L*25.2"W*3.74"H
1pcs LED Products inside

Installation Instructions and Warnings:

- Turn off power before inspection, installation, or removal.
- Not for use where exposed to the weather
- Do not use in totally enclosed fixtures.
- Not for use with dimmers.
- One led driver is for 4 bars, can not light up two bars with one driver.
- For vision safety, do not look at the light directly when it is operational.
- Before use the grow bar, please kindly tear the clear film on the surface of the PC.