



Features:

- Provide 120° beam angles.
- Easy Installation:
- Low Power Consumption: Less than 645 Watts.
- Long lifetime: 25000 hours (L₇₀).
- Sturdy Construction:
 - Aluminium Lamp Shell.
- Operating temperature: -25°C~+45°C.
- 100-305V AC input.
- LED Type : 3030 LED.
- Full spectrum.
- Dimmable(0-10V).
- Folding.

Benefits:

- Energy Cost Savings:
 - Over 60% Compared to Incandescent.
- Solid-State:
 - High-Shock & High-Vibration Resistant,
 - Both Electrical and Mechanical
- Energy Cost Savings:
- Eco-Friendly:
 - No Mercury, No Lead Content
- No Hazardous Emissions:
 - No UV or IR Radiation
- Constant Light Output:
 - Even Lighting, Non-Halation

Applications:

- For hemp plants Lighting
- Other Lighting

Product Specifications:

Lamp Shell	Aluminium
Input Voltage	100-305V AC
Wattage	645W
PPFD	Height:24" /0.6m, 848 μ mol/(m • s)
	Height:39.37" /1m, 555 μ mol/(m • s)
PPF Efficiency	2.72 μ mol/S /W (\pm 0.3)
Light Output PPF	1756 μ mol/s
Spectrum	Full spectrum
Power Factor	PF \geq 0.9
Operating frequency	50-60Hz
Operating Temperature	-25°C ~ +45°C
Storage Temperature	-30°C ~ +60°C
Net Weight per piece (Kg)	12.24KG
Certifications	CE Certification;RoHS Compliant
Size	1090*1090*71mm

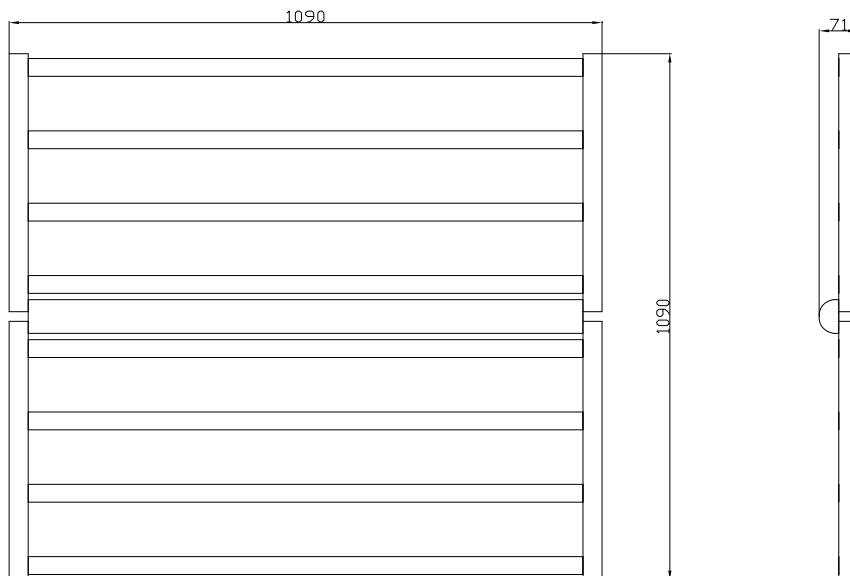
Product Selection Guide:

Part No.	Beam Angle	Total Lumens	CCT/ wavelength	Color
PG-W645WCD	120°	--	661nm	Full spectrum



①	PG:	Product Type.
②	W:	W-Full spectrum
③	645W:	The LED power is 645W
④	C:	AC100-305V
⑤	D:	Dimmable

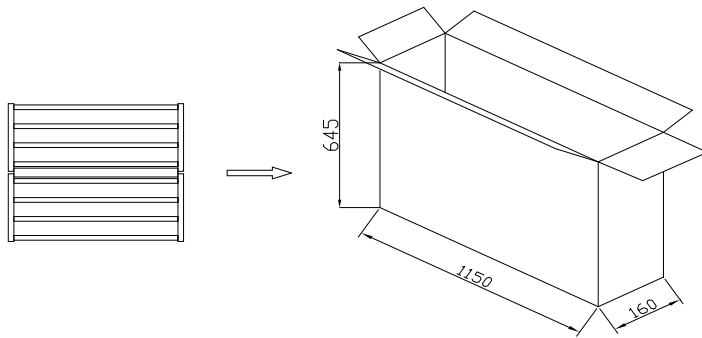
Product Dimensions:



Notes:

1. All dimensions unit in mm
2. Tolerances are ± 5 mm unless otherwise noted.

Package Dimension:



Medium carton
1150L*160W*645Hmm
45.28"L*6.30"W*25.40"H
1pcs LED Products inside

Installation Instructions and Warnings:

- Turn off power before inspection, installation, or removal.
- Not for use where exposed to the weather
- Do not use in totally enclosed fixtures.
- One led driver is for 4 bars, can not light up two bars with one driver.
- For vision safety, do not look at the light directly when it is operational.
- Before use the grow bar, please kindly tear the clear film on the surface of the PC.