



### Features:

- No UV or IR light radiation.
  - Provide 155° beam angles.
  - Easy Installation.
  - Low Power Consumption: Less than 48 Watts.
  - Long lifetime: 25000 hours (L<sub>70</sub>).
- Sturdy Construction:
- Organic glass Light guide plate And Aluminium alloy Lamp Shell.
  - High CRI: 70-85.
  - Correlated Color Temperature: 2700-7000K.
  - Operating temperature: -20°C~+60°C.
  - 24V DC input.
  - LED type: 4040LED.

### Benefits:

- Energy Cost Savings:  
Over 60% Compared to Incandescent.
- Solid-State:  
High-Shock & High-Vibration Resistant,  
Both Electrical and Mechanical
- Energy Cost Savings:
- Eco-Friendly:  
No Mercury, No Lead Content
- No Hazardous Emissions:  
No UV or IR Radiation
- Constant Light Output:  
Even Lighting, Non-Halation

### Applications:

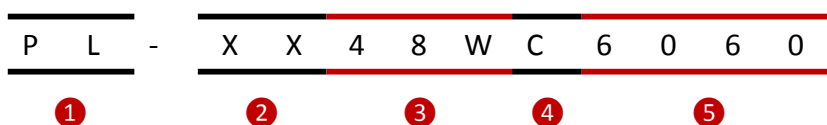
- Hotel Lighting
- Other Lighting

## Product Specifications:

Lamp Shell	Aluminium Alloy
Input Voltage	24V DC
Light guide plate	Organic glass
Wattage	48W
Power Factor	PF $\geq$ 0.7
Operating frequency	50-60Hz
Operating Temperature	-20°C ~ +60°C
Storage Temperature	-30°C ~ +70°C
Net Weight per piece (Kg)	3.8Kg
Certifications	RoHS Compliant
Fixing ways	Recessed and surface mounted or suspending
Size	595*595*10mm

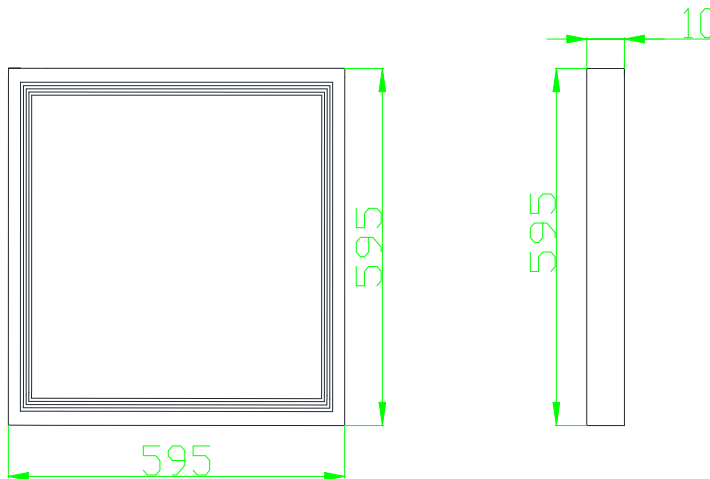
## Product Selection Guide:

Part No.	Beam Angle	Total Lumens	CCT	Color	CRI
PL-WW48WC-6060	155°	3350 $\pm$ 5%	2700-3500K	Warm White	$\geq$ 80
PL-NW48WC-6060	155°	3400 $\pm$ 5%	4000-4500K	Neuter White	$\geq$ 80
PL-W48WC-6060	155°	3500 $\pm$ 5%	6000-6500K	White	$\geq$ 80



①	PL:	Panel Light
②	XX:	WW- Warm White    NW- Neuter White W- White
③	48W:	The single LED power is 48W
④	C:	DC 24V
⑤	6060:	Product size

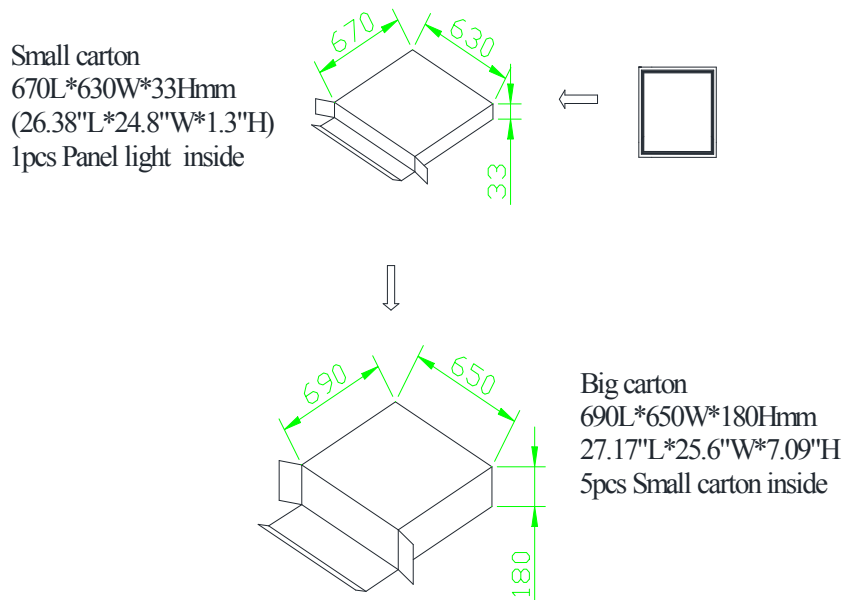
### Product Dimensions:



#### Notes:

1. All dimensions unit in mm
2. Tolerances are  $\pm 0.5\text{mm}$  unless otherwise noted.

### Package Dimension:



### Installation Instructions and Warnings:

- Turn off power before inspection, installation, or removal.
- Not for use where exposed to the weather
- Do not use in totally enclosed fixtures.
- Not for use with dimmers.
- Please make sure to use a suitable adapter. Please mind the minimum load of your adapter.

#### Notes:

The part number, type, and specifications mentioned in this document are subject to future change and improvement without notice. Before production usage customer should refer to the latest datasheet for the updated specifications.