



Features:

- No UV or IR light radiation.
- Provide 360° beam angles.
- Easy Installation: Using Existing R7S Fixture.
- Low Power Consumption: Less than 30 Watts.
- Long lifetime: 25000 hours (L₇₀).
- Sturdy Construction:
 - PC and Aluminum alloy Lamp shell.
- High CRI: 70-85.
- Correlated Color Temperature: 2700-6500K.
- Operating temperature: -20°C~+60°C.
- 85-265V AC input.
- LED Type :5630 LED/64Pcs.

Benefits:

- Energy Cost Savings:
Over 60% Compared to Incandescent.
- Solid-State:
High-Shock & High-Vibration Resistant,
Both Electrical and Mechanical
- Energy Cost Savings:
- Eco-Friendly:
No Mercury, No Lead Content
- No Hazardous Emissions:
No UV or IR Radiation
- Constant Light Output:
Even Lighting, Non-Halation

Applications:

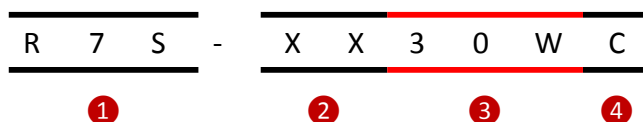
- Track Lighting
- Accent / Spot Lighting
- Display / Cabinet / Kiosk Lighting
- Architectural Lighting
- Art Gallery and Museum Lighting
- Other Lighting

Product Specifications:

Lamp Shell	Aluminum
Input Voltage	85-265V AC
Base Type	R7S
Wattage	30W
Power Factor	PF \geq 0.8
Operating frequency	50-60Hz
Operating Temperature	-20°C ~ +60°C
Storage Temperature	-30°C ~ +60°C
Net Weight per piece (Kg)	0.25
Certifications	RoHS Compliant
Size	118*55*40mm

Product Selection Guide:

Part No.	Beam Angle	Total Lumens	CCT	Color	CRI
R7S-WW30WC	200°	2300±5%	2700-3500K	Warm White	\geq 70
R7S-W30WC	200°	2400±5%	6000-6500K	White	\geq 70



R7S LED Light Lamp Series

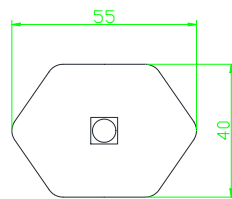
Data Sheet

R7S-XX30WC

AC85-265V, 30W

①	R7S:	Product type
②	XX:	W(White Color) WW(Warm White)
③	30W:	The single LED power is 30W
④	C:	AC 85-265V

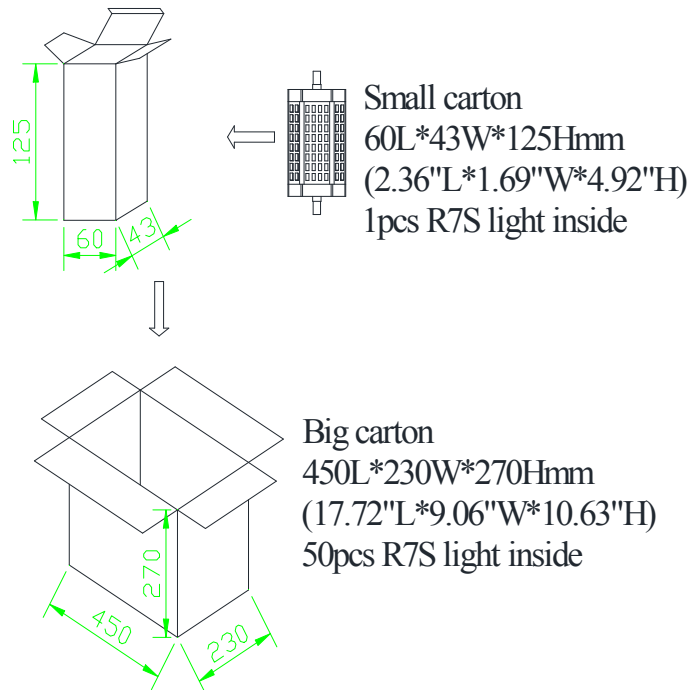
Product Dimensions:



Notes:

1. All dimensions unit in mm
2. Tolerances are ± 0.5 mm unless otherwise noted.

Package Dimension:



Installation Instructions and Warnings:

- Turn off power before inspection, installation, or removal.
- Not for use where exposed to the weather
- Do not use in totally enclosed fixtures.
- Not for use with dimmers.
- Please make sure to use a suitable adapter. Please mind the minimum load of your adapter.

Notes:

The part number, type, and specifications mentioned in this document are subject to future change and improvement without notice. Before production usage customer should refer to the latest datasheet for the updated specifications.