



Features:

- Provide 120° beam angles.
- Easy Installation.
- Low Power Consumption: Less than 18 Watts.
- Long lifetime: 25000 hours (L₇₀).
- Sturdy Construction:
 - Stabilized ABS Lampshade and Lamp Shell.
- High CRI: 70-85.
- Remote control: RF.
- Effect: Color gradient, Jump, Pulse change.
- Working mode: Automatic, Voice control, DMX512 and Slave mode.
- Control channel: 7DMX channel.
- Operating temperature: -20°C~+60°C.
- 110-240V AC input.
- Waterproof:IP20.

Benefits:

- Energy Cost Savings:
 - Over 60% Compared to Incandescent.
- Solid-State:
 - High-Shock & High-Vibration Resistant,
 - Both Electrical and Mechanical
- Energy Cost Savings:
- Eco-Friendly:
 - No Mercury, No Lead Content
- No Hazardous Emissions:
 - No UV or IR Radiation
- Constant Light Output:
 - Even Lighting, Non-Halation

Applications:

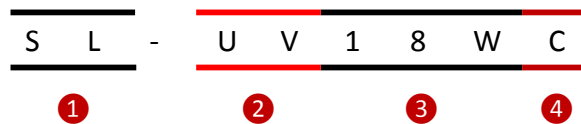
- Suitable for body building lighting
- Bridge/hotel lighting
- Billboards lighting
- Wall lighting
- Evening outdoor decorative lighting
- Other Lighting

Product Specifications:

| | |
|---------------------------|----------------|
| Lamp Shell | ABS |
| Input Voltage | 110-240V AC |
| IP | IP20 |
| Wattage | 18W |
| Operating Temperature | -20°C ~ +60°C |
| Storage Temperature | -30°C ~ +70°C |
| Net Weight per piece (Kg) | 0.5KG |
| Certifications | RoHS Compliant |

Product Selection Guide:

| Part No. | Beam Angle | Total Lumens | Wavelength | Color | CRI |
|-----------|------------|--------------|------------|-------------|-----|
| SL-UV18WC | 120° | -- | 390-395nm | Ultraviolet | -- |



LED Stage Light Lamp Series

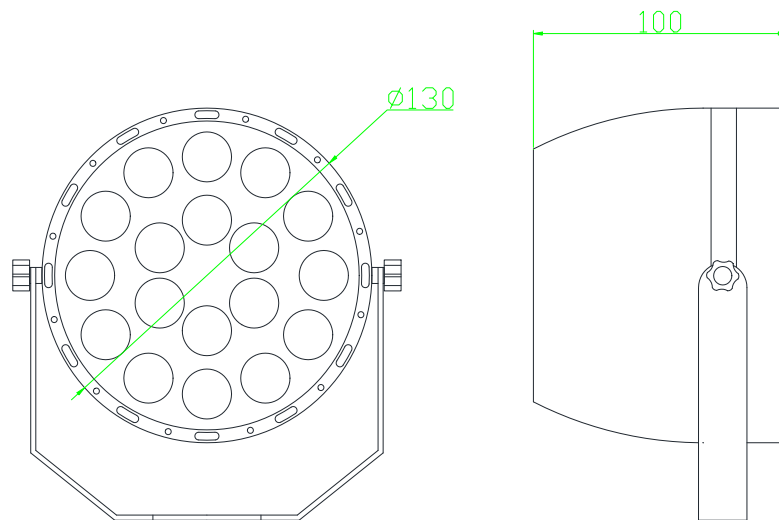
Data Sheet

SL-UV18WC

AC110-240V, 18W

| | | |
|---|------|-----------------------------|
| ① | SL: | Product Type. |
| ② | UV: | UV-Ultraviolet |
| ③ | 18W: | The single LED power is 18W |
| ④ | C: | AC110-240V |

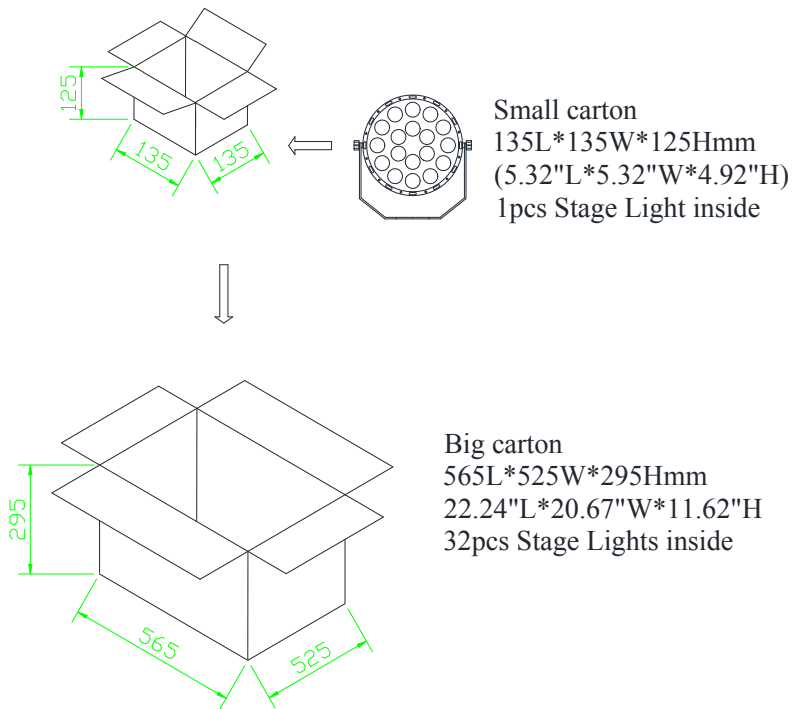
Product Dimensions:



Notes:

1. All dimensions unit in mm
2. Tolerances are $\pm 0.5\text{mm}$ unless otherwise noted.

Package Dimension:



Installation Instructions and Warnings:

- Turn off power before inspection, installation, or removal.
- Not for use where exposed to the weather
- Do not use in totally enclosed fixtures.
- Not for use with dimmers.
- Please make sure to use a suitable adapter. Please mind the minimum load of your adapter.

Notes:

The part number, type, and specifications mentioned in this document are subject to future change and improvement without notice. Before production usage customer should refer to the latest datasheet for the updated specifications.