



### Features:

- No UV or IR light radiation.
- Provide 140° beam angles.
- Easy Installation.
- Low Power Consumption: Less than 30 Watts.
- Long lifetime: 25000 hours (L<sub>70</sub>).
- Sturdy Construction:
- UV Stabilized toughened glass and Aluminum alloy Lamp Base.
- High CRI: 70-85
- Correlated Color Temperature: 2700-6500K.
- Operating temperature: -20°C~+60°C.
- 90-265V AC input.
- Protection grade: IP65.

### Benefits:

- Energy Cost Savings:  
Over 60% Compared to Incandescent.
- Solid-State:  
High-Shock & High-Vibration Resistant,  
Both Electrical and Mechanical
- Energy Cost Savings:
- Eco-Friendly:  
No Mercury, No Lead Content
- No Hazardous Emissions:  
No UV or IR Radiation
- Constant Light Output:  
Even Lighting, Non-Halation

### Applications:

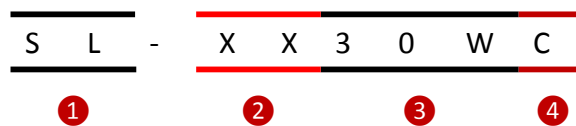
- Street /Parking lot lighting.
- park, sculpture and national green lighting project
- Tourist attractions lighting
- Green area lighting.
- The building elevation of lighting
- Other Lighting

### Product Specifications:

Diffuser	PMMA
Input Voltage	90-265V AC
IP	IP65
Wattage	30W
Power Factor	PF $\geq$ 0.8
Operating frequency	50-60Hz
Operating Temperature	-20°C ~ +60°C
Storage Temperature	-30°C ~ +60°C
Net Weight per piece (Kg)	2.5KG
Certifications	RoHS Compliant

### Product Selection Guide:

Part No.	Beam Angle	Total Lumens	CCT	Color	CRI
SL-WW30WC	140°	2900±5%	2700-3500K	Warm White	$\geq$ 70
SL-W30WC	140°	3000±5%	5500-6500K	White	$\geq$ 70



# LED Street Light Lamp Series

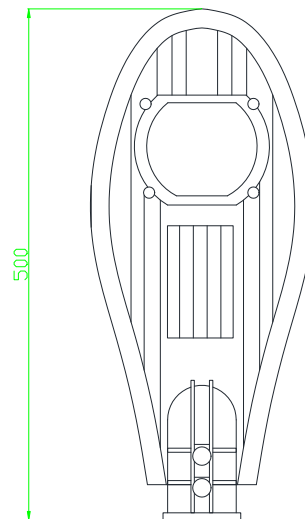
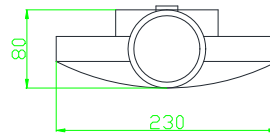
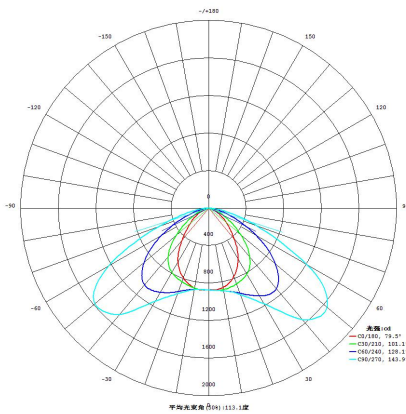
## Data Sheet

SL-XX30WC

AC90-265V, 30W

①	SL:	Product Type.
②	XX:	WW-Warm White W-White
③	30W:	The single LED power is 30W
④	C:	AC90-265V

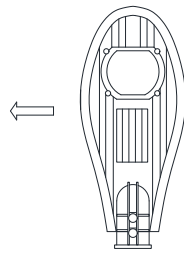
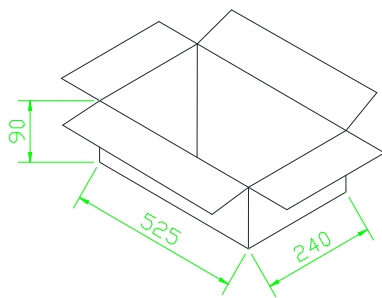
### Product Dimensions:



### Notes:

1. All dimensions unit in mm
2. Tolerances are  $\pm 0.5\text{mm}$  unless otherwise noted.

### Package Dimension:



Small carton  
525L\*240W\*90Hmm  
(20.67"L\*9.45"W\*3.54"H)  
1pcs Street Light inside

### Installation Instructions and Warnings:

- Turn off power before inspection, installation, or removal.
- Not for use where exposed to the weather
- Do not use in totally enclosed fixtures.
- Not for use with dimmers.
- Please make sure to use a suitable adapter. Please mind the minimum load of your adapter.

#### Notes:

The part number, type, and specifications mentioned in this document are subject to future change and improvement without notice. Before production usage customer should refer to the latest datasheet for the updated specifications.