

Features:

- No UV or IR light radiation.
- Provide 120° beam angles.
- Easy Installation.
- Low Power Consumption: Less than 6 Watts
- Long lifetime: 25000 hours (L₇₀).
- Sturdy Construction:
 - Aluminium and PC Shell.
- High CRI: 70-85
- Correlated Color Temperature: 6000-6500K.
- Operating temperature: -20°C~+60°C.
- 100-240V AC input.
- LED Type : 2835 LED .
- Integration tube light.
- The power wire type: IEC RVV /VDE H03VV-F 3x0.75mm² 1.2 meters length.

Benefits:

- Energy Cost Savings:
Over 60% Compared to Incandescent.
- Solid-State:
High-Shock & High-Vibration Resistant,
Both Electrical and Mechanical
- Energy Cost Savings:
- Eco-Friendly:
No Mercury, No Lead Content
- No Hazardous Emissions:
No UV or IR Radiation
- Constant Light Output:
Even Lighting, Non-Halation

Applications:

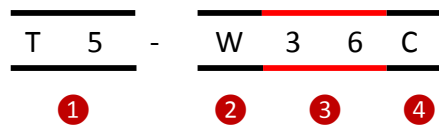
- Conferences/meeting rooms/show rooms/ showcases Lighting
- Villa/Residential houses Lighting
- Architectural Lighting
- Art Gallery and Museum Lighting
- Factories/plants/warehouses/ offices Lighting
- Other Lighting

Product Specifications:

Lamp Shell	Aluminium And PC
Input Voltage	100-240V AC
Wattage	6W
Power Factor	PF \geq 0.7
Operating frequency	50-60Hz
Operating Temperature	-20°C ~ +60°C
Storage Temperature	-30°C ~ +70°C
Net Weight per piece (Kg)	0.15Kg
Certifications	CE Approved; RoHS Compliant

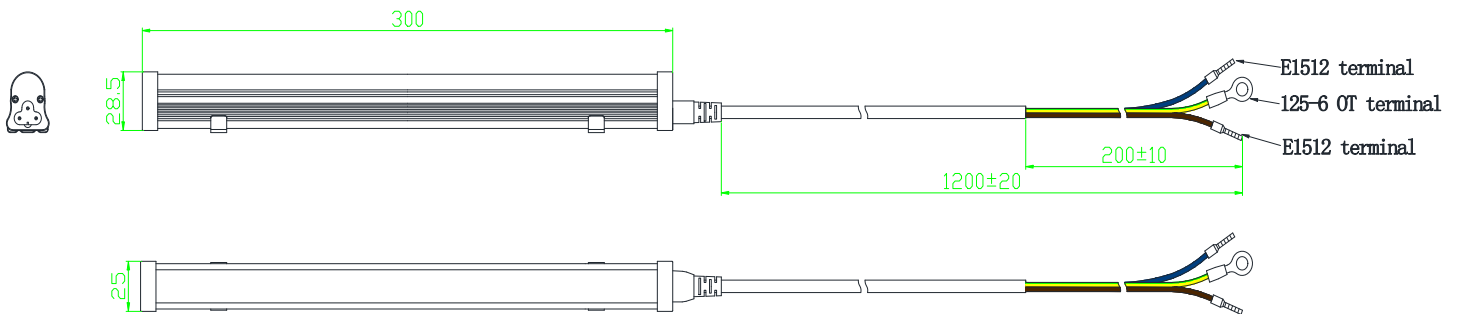
Product Selection Guide:

Part No.	Beam Angle	Total Lumens	CCT	Color	CRI
T5-W36C	120°	580 \pm 5%	6000-6500K	White	\geq 80



①	T5:	Product Type.
②	W:	W-White
③	36:	36 pcs of LEDs
④	C:	AC100-240V

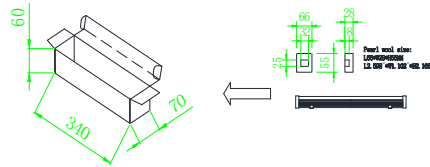
Product Dimensions:



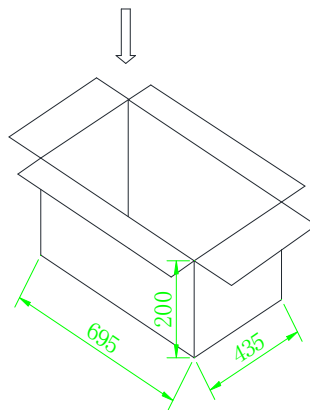
Notes:

1. All dimensions unit in mm
2. Tolerances are ±0.5mm unless otherwise noted.

Package Dimension:



Small carton:K=K
L340*W70*H60MM
L13.386"*W2.756"*H2.362"



Big carton:K=K
695L*435W*200Hmm
27.362"L*17.125"W*7.874"H
36pcs T5 tube lights inside

Installation Instructions and Warnings:

- Turn off power before inspection, installation, or removal.
- Not for use where exposed to the weather
- Do not use in totally enclosed fixtures.
- Not for use with dimmers.
- Please make sure to use a suitable adapter. Please mind the minimum load of your adapter.

The maximum input current is measured at maximum load: 0.3A@ 100~240VAC

Notes:

The part number, type, and specifications mentioned in this document are subject to future change and improvement without notice. Before production usage customer should refer to the latest datasheet for the updated specifications.