



Features:

- No UV or IR light radiation.
- Provide 120° beam angles.
- Easy Installation:
 - Using Existing G13 Fixture.
- Low Power Consumption: Less than 15 Watts.
- Long lifetime: 25000 hours (L₇₀).
- Sturdy Construction:
 - Aluminium and PC Shell.
- High CRI: 70-85.
- Correlated Color Temperature: 5500-6500K.
- Operating temperature: -20°C~+60°C.
- 180-265V AC input.
- LED Type : 2835 LED .
- Flicker free.

Benefits:

- Energy Cost Savings:
 - Over 60% Compared to Incandescent.
- Solid-State:
 - High-Shock & High-Vibration Resistant,
 - Both Electrical and Mechanical
- Energy Cost Savings:
- Eco-Friendly:
 - No Mercury, No Lead Content
- No Hazardous Emissions:
 - No UV or IR Radiation
- Constant Light Output:
 - Even Lighting, Non-Halation

Applications:

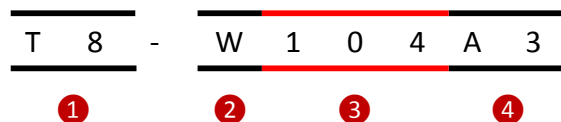
- Conferences/meeting rooms/show rooms/ showcases Lighting
- Villa/Residential houses Lighting
- Architectural Lighting
- Art Gallery and Museum Lighting
- Factories/plants/warehouses/ offices Lighting
- Other Lighting

Product Specifications:

Lamp Shell	Aluminium And PC
Input Voltage	180-265V AC
Wattage	15W
Power Factor	PF \geq 0.88
Operating frequency	50-60Hz
Operating Temperature	-20°C ~ +60°C
Storage Temperature	-30°C ~ +70°C
Net Weight per piece (Kg)	0.197KG
Certifications	RoHS Compliant
Size	1212*32*29mm

Product Selection Guide:

Part No.	Beam Angle	Total Lumens	CCT	Color	CRI
T8-W104A3	120°	1500 \pm 10%	5500-6500K	White	\geq 80



LED Tube Light Lamp Series

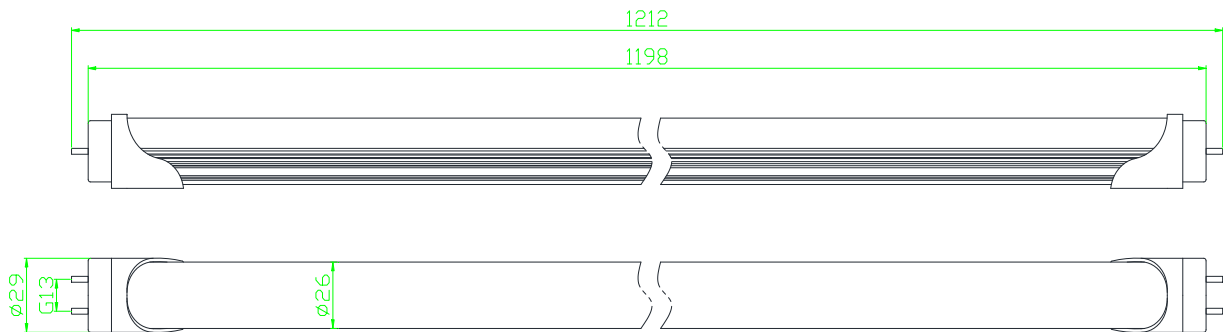
Data Sheet

T8-W104A3

AC180-265V, 15W

①	T8:	Product Type.
②	W:	W- White
③	104:	104 pcs of LEDs
④	A3:	AC180-265V

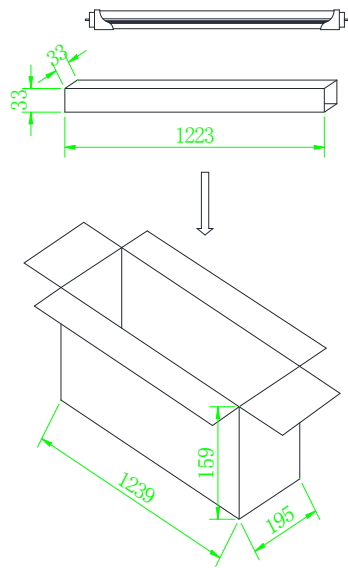
Product Dimensions:



Notes:

1. All dimensions unit in mm
2. Tolerances are ± 0.5 mm unless otherwise noted.

Package Dimension:



Small carton
33L*33W*1223Hmm
1.30"L*1.30"W*48.15"H
1pcs T8 Tube light inside

Big carton
1239L*195W*159Hmm
48.78"L*7.68"W*6.26"H
20pcs T8 Tube light inside

Installation Instructions and Warnings:

- Turn off power before inspection, installation, or removal.
- Not for use where exposed to the weather
- Do not use in totally enclosed fixtures.
- Not for use with dimmers.
- Please make sure to use a suitable adapter. Please mind the minimum load of your adapter.

The maximum input current is measured at maximum load: 0.3A@ 100~240VAC

Notes:

The part number, type, and specifications mentioned in this document are subject to future change and improvement without notice. Before production usage customer should refer to the latest datasheet for the updated specifications.