



Features:

- No UV or IR light radiation.
- Provide 45° beam angles.
- Easy Installation.
- Low Power Consumption: Less than 7 Watts.
- Long lifetime: 25000 hours (L₇₀).
- Sturdy Construction:
 - PMMA Lens and aluminium alloy lamp Shell.
- High CRI: 70-85.
- Correlated Color Temperature: 2700-6500K.
- Operating temperature: -20°C~+60°C.
- 100-240V AC input.

Benefits:

- Energy Cost Savings:
Over 60% Compared to Incandescent.
- Solid-State:
High-Shock & High-Vibration Resistant,
Both Electrical and Mechanical
- Energy Cost Savings:
- Eco-Friendly:
No Mercury, No Lead Content
- No Hazardous Emissions:
No UV or IR Radiation
- Constant Light Output:
Even Lighting, Non-Halation

Applications:

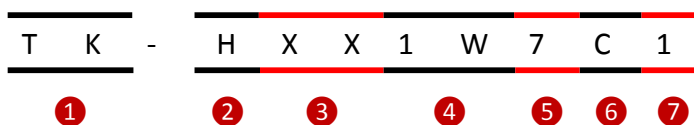
- Track Lighting
- Accent / Spot Lighting
- Display / Cabinet / Kiosk Lighting
- Architectural Lighting
- Art Gallery and Museum Lighting
- Other Lighting

Product Specifications:

Lens	PMMA
Lamp Shell	Aluminium Alloy
Input Voltage	100-240V AC
Wattage	7W
Power Factor	PF \geq 0.7
Operating frequency	50-60Hz
Operating Temperature	-20°C ~ +60°C
Storage Temperature	-30°C ~ +70°C
Net Weight per piece (Kg)	0.39KG
Certifications	RoHS Compliant

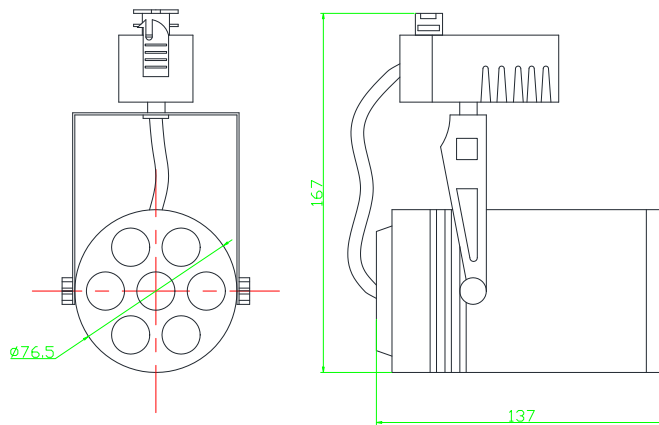
Product Selection Guide:

Part No.	Beam Angle	Total Lumens	CCT	Color	CRI
TK-HWW1W7C1	45°	500 \pm 5%	2700-3500K	Warm White	\geq 70
TK-HW1W7C1	45°	520 \pm 5%	6000-6500K	White	\geq 70



①	TK:	Track Light.
②	H:	High Power LED Series
③	XX:	W-White, WW- Warm White
④	1W:	The single LED power is 1W
⑤	7:	7 pcs of LEDs
⑥	C:	AC100-240V
⑦	1:	Crust type

Product Dimensions:



Notes:

1. All dimensions unit in mm
2. Tolerances are ± 0.5 mm unless otherwise noted.

Installation Instructions and Warnings:

- Turn off power before inspection, installation, or removal.
- Not for use where exposed to the weather
- Do not use in totally enclosed fixtures.
- Not for use with dimmers.
- Please make sure to use a suitable adapter. Please mind the minimum load of your adapter.

Notes:

The part number, type, and specifications mentioned in this document are subject to future change and improvement without notice. Before production usage customer should refer to the latest datasheet for the updated specifications.