



Features:

- No UV or IR light radiation.
- Provide 120° beam angles.
- Easy Installation.
- Low Power Consumption: Less than 4 Watts.
- Long lifetime: 25000 hours (L₇₀).
- Solar charging, energy saving, environmental protection.
- Light energy conversion rate: 18%.
- Correlated Color Temperature: 2700-6500K.
- Operating temperature: -20°C~+60°C.
- Solar panel: 5.5V 120mA (polysilicon).
- Lithium battery: 18650 3.7V 1200mAh .
- Life time: 60H.
- 3.7V DC input.
- Waterproof: IP65.

Benefits:

- Energy Cost Savings:
Over 60% Compared to Incandescent.
- Solid-State:
High-Shock & High-Vibration Resistant,
Both Electrical and Mechanical
- Energy Cost Savings:
- Eco-Friendly:
No Mercury, No Lead Content
- No Hazardous Emissions:
No UV or IR Radiation
- Constant Light Output:
Even Lighting, Non-Halation

Applications:

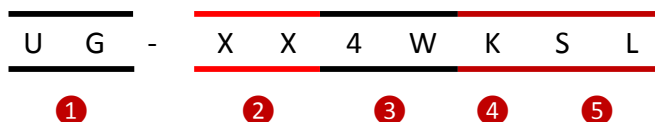
- Tourist attractions lighting
- Green area lighting
- Fountain lighting
- Other Lighting

Product Specifications:

Input Voltage	3.7V DC
IP	IP65
Wattage	4W
Power Factor	--
Operating frequency	--
Operating Temperature	-20°C ~ +60°C
Storage Temperature	-30°C ~ +70°C
Net Weight per piece (Kg)	0.14KG
Certifications	RoHS Compliant

Product Selection Guide:

Part No.	Beam Angle	Total Lumens	CCT	Color	CRI
UG-WW4WK-SL	120°	90±5%	2700-3500K	Warm White	≥70
UG-W4WK-SL	120°	100±5%	5500-6500K	White	≥70



Underground Light LED Lamp Series

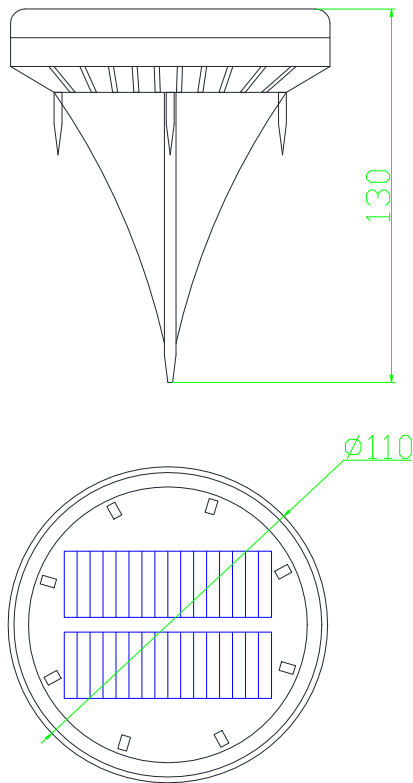
Data Sheet

UG-XX4WK-SL

DC 3.7V, 4W

①	UG:	Product Type
②	XX:	WW-Warm White W-White
③	4W:	The single LED power is 4W
④	K:	DC 3.7V
⑤	SL:	Solar lights

Product Dimensions:

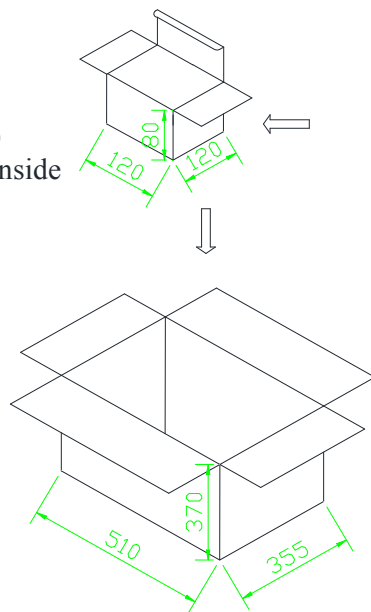


Notes:

1. All dimensions unit in mm
2. Tolerances are $\pm 0.5\text{mm}$ unless otherwise noted.

Package Dimension:

Small carton
120L*120W*80Hmm
(4.72"L*4.72"W*3.15"H)
2pcs Under ground light inside



Big carton
510L*355W*370Hmm
20.08"L*13.97"W*14.57"H
48pcs Small carton inside
96pcs Under ground lights inside

Installation Instructions and Warnings:

- Turn off power before inspection, installation, or removal.
- Not for use where exposed to the weather
- Do not use in totally enclosed fixtures.
- Not for use with dimmers.
- Please make sure to use a suitable adapter. Please mind the minimum load of your adapter.

Notes:

The part number, type, and specifications mentioned in this document are subject to future change and improvement without notice. Before production usage customer should refer to the latest datasheet for the updated specifications.