



Features:

- No UV or IR light radiation.
- Provide 120° beam angles.
- Easy Installation.
- Low Power Consumption: Less than 0.8 Watts.
- Long lifetime: 25000 hours (L₇₀).
- Sturdy Construction:
 - ABS Lamp shell.
 - Solar charging, energy saving, environmental protection.
- Working mode: light sense and Infrared sensor.
- High CRI: 70-85.
- Correlated Color Temperature: 2700-6500K.
- Light energy conversion rate: 17%.
- Solar panel: 5.5V 0.55W (polysilicon).
- Lithium battery: 18650 3.7V 1200mAh .
- Operating temperature: -20°C~+60°C.
- 3.7V DC input.
- Waterproof: IP65.
- LED type: 2835 LED/30PCS.

Benefits:

- Energy Cost Savings:
Over 60% Compared to Incandescent.
- Solid-State:
High-Shock & High-Vibration Resistant,
Both Electrical and Mechanical
- Energy Cost Savings:
- Eco-Friendly:
No Mercury, No Lead Content
- No Hazardous Emissions:
No UV or IR Radiation
- Constant Light Output:
Even Lighting, Non-Halation

Applications:

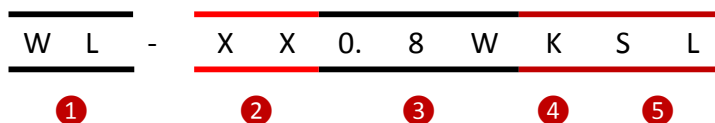
- Courtyard lighting
- Wall lighting
- Scenic lighting
- Other Lighting

Product Specifications:

Lamp Shell	ABS
Input Voltage	3.7V DC
IP	IP65
Wattage	0.8W
Power Factor	--
Operating frequency	--
Operating Temperature	-20°C ~ +60°C
Storage Temperature	-30°C ~ +70°C
Net Weight per piece (Kg)	0.215KG
Certifications	RoHS Compliant

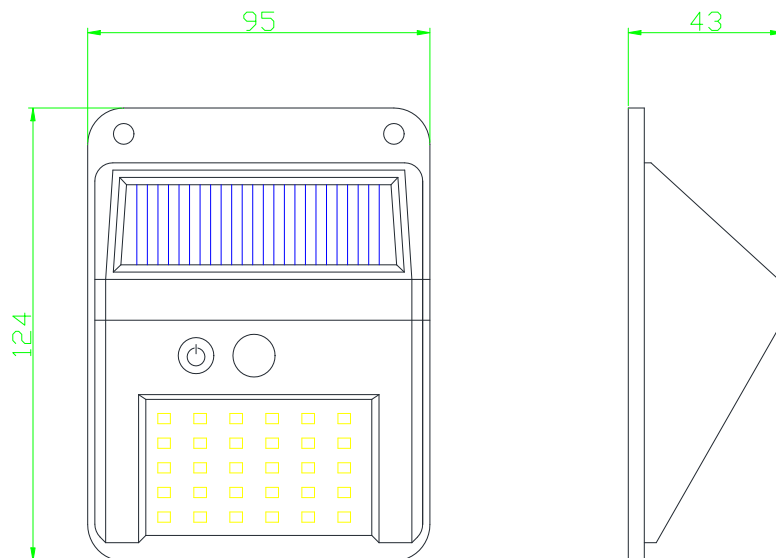
Product Selection Guide:

Part No.	Beam Angle	Total Lumens	CCT	Color	CRI
WL-WW0.8WK-SL	120°	20±10%	2700-3500K	Warm White	≥70
WL-W0.8WK-SL	120°	30±10%	5500-6500K	White	≥70



①	WL:	Product Type
②	XX:	WW-Warm White W-White
③	0.8W:	The single LED power is 0.8W
④	K:	DC3.7V
⑤	SL:	Solar lights

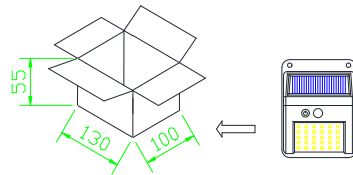
Product Dimensions:



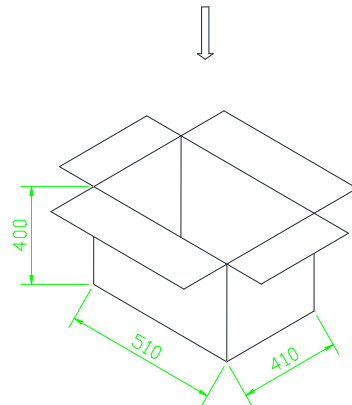
Notes:

1. All dimensions unit in mm
2. Tolerances are $\pm 0.5\text{mm}$ unless otherwise noted.

Package Dimension:



Small carton
130L*100W*55Hmm
(5.12"L*3.94"W*2.16"H)
1pcs Light inside



Big carton
510L*410W*400Hmm
20.08"L*16.14"W*15.75"H
105pcs Lights inside

Installation Instructions and Warnings:

- Turn off power before inspection, installation, or removal.
- Not for use where exposed to the weather
- Do not use in totally enclosed fixtures.
- Not for use with dimmers.
- Please make sure to use a suitable adapter. Please mind the minimum load of your adapter.

Notes:

The part number, type, and specifications mentioned in this document are subject to future change and improvement without notice. Before production usage customer should refer to the latest datasheet for the updated specifications.